

Industrial Handle & Safety Control System



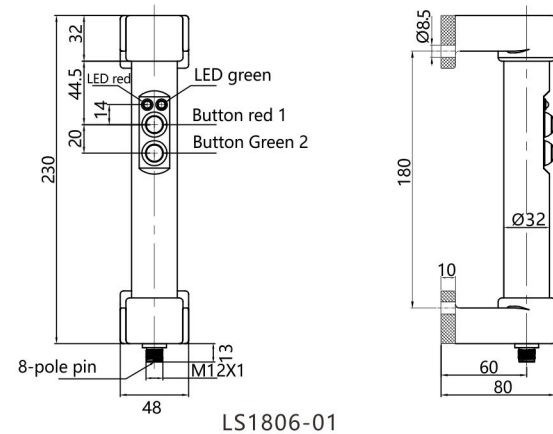
Function elements

Code	LS1806-01	LS1806-02
Emergency Stop Switch (2NC)		
Push button (Change-over NO)		
LED Green/Red		
Emergency Stop		1-42V AC/DC max.100mA
Push button	24V AC/DC max.1A	
Working Voltage LED	24VDC	
Connection type	8-pole M12x1	12-pole M12x1
Connector Assignment (Plug side view)	<p>Button Green NO (2) Button red C (8) Button red NC (1) LED Green + (7) LED Red + (5) Button Green NO (4) LED Red + (5)</p>	<p>E-stop 2NC (11) Button Red C (10) Button Red NC (1) E-stop 2NC 12 (9) Button Red (2) E-stop 2NC 22 (12) NO (2) E-stop 2NC (3) Button Green NO (8) Button Green NO (4) LED Red + (5) LED - (6) LED Green+ (7)</p>

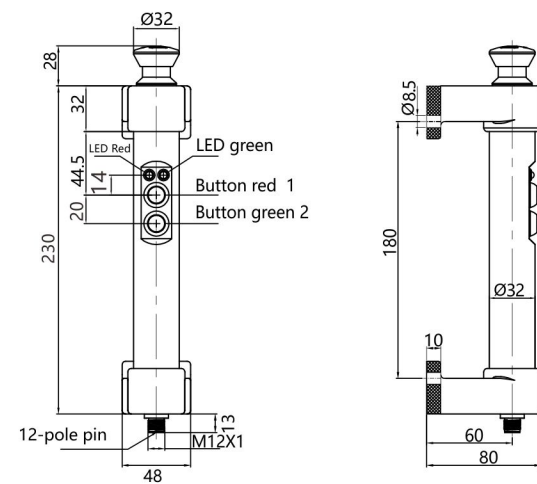
Material and Surface:

Handle shanks: PA Black; Aluminium ,Anodizing Black;
Handle ledge : Aluminium, Anodizing or Black

Outline Dimensional drawing (mm)



LS1806-01



LS1806-02

Technical data

- Emergency stop & Push button
- Rated Voltage (Ue)& Current (Ie): 24VAC/DC 1A
- Operating voltage LED: 24V
- Operating Extremes: 5-55Hz, Amplitude 0.5mm
- Operating Temperature: -25°C~+40°C
- Operating Humidity: 40~85%RH
- Connection: 5/8-pin or 8/12-pin connector positioned at the tubular axle of the handle ledge in the handle shank.