



Type PBH
Flush Pushbuttons\
Illuminated Flush Pushbuttons

- Φ 30mm
- Front bezel (SUS 304): Flush round
- Holder : Metal, Plastic, Nut
- Momentary & Maintained
- Wide range of lenses and lens colours
- Bright, single or bi-color LED illumination
- IEC/EN 60947-5-1, UL 508, IEC/EN 60073,
- IEC/EN 60529

Dimensions and style

30A = Ø30mm Flush +Metal holder
30B = Ø30mm Flush +Plastic holder
30D = Ø30mm Flush +Nut holder

Product description

Pushbutton switches are mechanical switches that are pushed down to open or to close the electric contacts. They are mostly used to start/stop electric circuits or devices like lamps, motors, etc. They should be ordered in parts (operator+holder +contact block) and installed in an enclosure.

Types

Blank = pushbuttons
D = Illuminated pushbuttons¹
1 = for details see pg.31

Actions

Blank = Spring return T = Maintained

Color^①

R = Red G = Green
Y = Yellow B = Blue
W = White K* = Black*

Voltage^②

21 = 6VAC/DC 27 = 110VAC/DC
22 = 12VAC/DC 28 = 220VAC/DC
23 = 24VAC/DC 31 = 220VDC
26 = 48VAC/DC 32 = 380VAC

General data

Peripheral of actuator	AL
Actuator	PA
Mechanical life	≥3x10 ⁵ Cycles
Operating temperature	-25 to +70°C (-13 to +158°F)
Storage temperature	-30 to +80°C (-22 to +176°F)
Protection Degree	IP 65

Order code

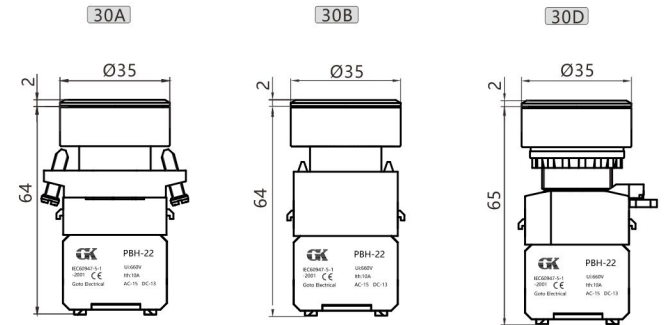
Type	Actions	Dimension & holder	Contact	Part No.
Flush Pushbuttons	Momentary	Ø30mm Metal holder	In place of □ insert contact as follows:	PBH-30A-□/①
		Ø30mm Plastic holder	2NO : 20 2NC : 02 1NO : 10 1NC : 01	PBH-30B-□/①
		Ø30mm Nut holder	1NO+1NC : 11	PBH-30D-□/①
	Maintained	Ø30mm Metal holder	For contact details, See pg.32	PBH-30A-□T/①
		Ø30mm Plastic holder		PBH-30B-□T/①
		Ø30mm Nut holder		PBH-30D-□T/①

1. In place of ① insert color table
2. In place of ② insert voltage table
3. Except for the listed products models, Special and Customized Products are available. Please consult the factory for more details

Type	Actions	Dimension & holder	Contact	Part No.
Illuminated Flush Pushbuttons	Momentary	Ø30mm Metal holder	In place of □ insert contact as follows: 2NO : 20 2NC : 02 1NO : 10 1NC : 01 1NO+1NC : 11	PBH-30A-□D②①
		Ø30mm Plastic holder		PBH-30B-□D②①
		Ø30mm Nut holder		PBH-30D-□D②①
	Maintained	Ø30mm Metal holder	For contact details, See pg.32	PBH-30A-□DT②①
		Ø30mm Plastic holder		PBH-30B-□DT②①
		Ø30mm Nut holder		PBH-30D-□DT②①

1. In place of ① insert color table
2. In place of ② insert voltage table

Dimensions (mm)



Illuminated Flush Pushbuttons

