

S22
Illuminated Key Selector Switches



- Ring-illuminated
- SUS316L stainless steel are available
- High resistance to vibration and impact
- 2-position or 3 position options
- High IP67/69K protection
- Oiltight model are available
- Single or bi-color LEDs available
- Quickly connector and PCB connector are available
- TÜV CE RoHS

Contact	
11=1NO+1NC	10=1NO
20=2NO	01=1NC
02=2NC	

Terminal	
L=Solder/Tab #110 (2.8*0.5)	
S=PC Board (1.2*0.7)	

Voltage①	
06=6VAC/DC	110=110VAC/DC
12=12VAC/DC	220=220VAV/DC
24=24VAC/DC	

Color②	
R= Red	Y= Yellow
G= Green	W= White
B= Blue	A= Amber

Mounting Dimensions and styles

- 22F=Φ22Flat+Ring
- 22E=Φ22Raised+Ring
- 22G=Φ22Flat/wide-brimmed+Ring

Switching Action

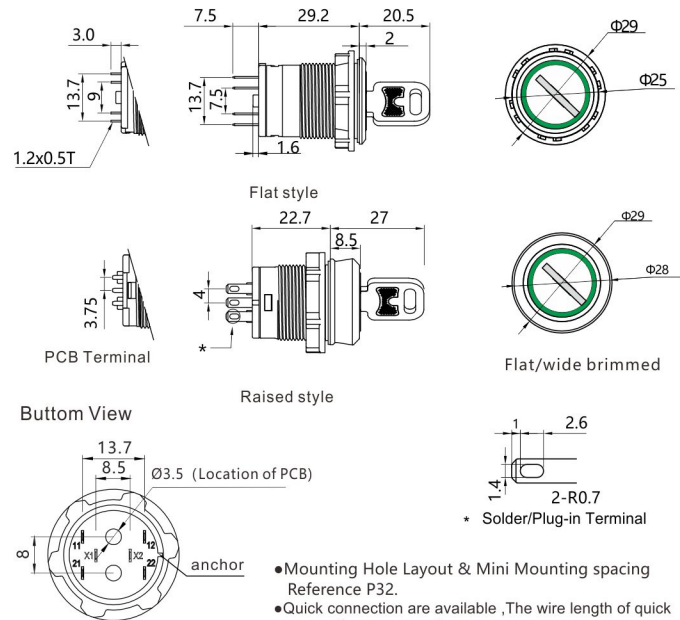
Blank =Momentary T=Maintained

Ordering code

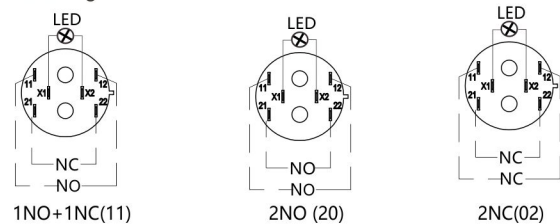
Shape	Switching Action	Contact	Part No.		Terminal
Flat+Ring (FU)	Momentary	1NO+1NC	S22FU-11Y2□①②.▲	S22FU-11Y3□①②.▲	• In place of □ insert terminal as follows: L:Solder/Tab#110 S:PC Board
		2NO	S22FU-20Y2□①②.▲	S22FU-20Y3□①②.▲	
		2NC	S22FU-02Y2□①②.▲	S22FU-02Y3□①②.▲	
	Maintained	1NO+1NC	S22FU-11Y2T□①②.▲	S22FU-11Y3T□①②.▲	
		2NO	S22FU-20Y2T□①②.▲	S22FU-20Y3T□①②.▲	
		2NC	S22FU-02Y2T□①②.▲	S22FU-02Y3T□①②.▲	
Raised+Ring (EU)	Momentary	1NO+1NC	S22EU-11Y2□①②.▲	S22EU-11Y3□①②.▲	
		2NO	S22EU-20Y2□①②.▲	S22EU-20Y3□①②.▲	
		2NC	S22EU-02Y2□①②.▲	S22EU-02Y3□①②.▲	
	Maintained	1NO+1NC	S22EU-11Y2T□①②.▲	S22EU-11Y3T□①②.▲	
		2NO	S22EU-20Y2T□①②.▲	S22EU-20Y3T□①②.▲	
		2NC	S22EU-02Y2T□①②.▲	S22EU-02Y3T□①②.▲	
Flat/wide-brimmed+ring (GU)	Momentary	1NO+1NC	S22GU-11Y2□①②.▲	S22GU-11Y3□①②.▲	
		2NO	S22GU-20Y2□①②.▲	S22GU-20Y3□①②.▲	
		2NC	S22GU-02Y2□①②.▲	S22GU-02Y3□①②.▲	
	Maintained	1NO+1NC	S22GU-11Y2T□①②.▲	S22GU-11Y3T□①②.▲	
		2NO	S22GU-20Y2T□①②.▲	S22GU-20Y3T□①②.▲	
		2NC	S22GU-02Y2T□①②.▲	S22GU-02Y3T□①②.▲	

1. in place of ① insert voltage table
2. in place of ② insert color table
3. in place of ▲ insert key removable position table

Outline Dimensional drawing mm



Terminal Arrangement



□ Operators position

Positions	code	operators style	Key removable position(▲): ①、②、③	
90°-2P	code Y2	Maintained	a	① ②
		Blank	b	① ②
45°-3P	code Y3	Maintained	a	① ③ ②
		Blank	b	① ③ ②