



Type PBH
Short-handle Selector Switches
Illuminated Selector Switches

- Φ 22mm
- Front bezel (Aluminium):standard,circular
- Holder : Metal,Plastic, Nut
- Self-hold or spring return
- Knob colour choice
- Two and three positions
- Illuminated type choice
- IEC/EN 60947-5-1,UL 508,IEC/EN 60073, IEC/EN 60529

Dimensions and style

22A = Φ 22mm Standard Bezel +Metal holder
22B = Φ 22mm Circular Bezel+Plastic holder
22D = Φ 22mm Circular Bezel+Nut holder
22E = Φ 22mm Standard Bezel+Nut holder

Type

X = Short-handle selector switch
XD = Illuminated Short-handle selector switch

Color①

R=Red
Y=Yellow
W=White
G=Green
B=Blue
K*=Black*

Voltage②

21 = 6VAC/DC
22 = 12VAC/DC
23 = 24VAC/DC
26 = 48VAC/DC
27 = 110VAC/DC
28 = 220VAC/DC
31 = 220VDC
32 = 380VAC

Product description

Selector switches are mechanical switches that can be turned right, center or left to open to close the electric. They are mostly used to start/stop devices or switch between two/three electric circuits. They should be ordered in parts (operator +holder +contact block) and installed in an enclosure.

Actions

21=Two positions L R
22=Two positions L C
23=Two positions C *R
31=Three positions L C R
32=Three positions L C *R
33=Three positions L C R
34=Three positions L C *R

General data

Peripheral of actuator	AL
Actuator	PA
Mechanical life	$\geq 3 \times 10^5$ Cycles
Operating temperature	-25 to +70°C (-13 to +158°F)
Storage temperature	-30 to +80°C (-22 to +176°F)
Protection Degree	IP 65

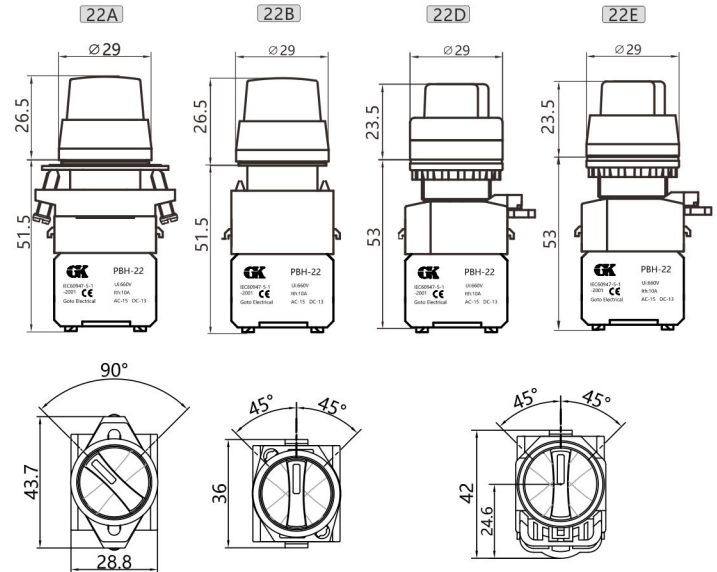
Order code

Type	Actions	Dimension & holder	Contact	Part No.	
Short-handle Selector Switches	2- Positions	Φ 22mm Standard Bezel +Metal holder	In place of \square insert contact as follows: 2NO : 20 2NC : 02 1NO : 10 1NC : 01 1NO+1NC : 11	PBH-22A- \square X▲	
		Φ 22mm Circular Bezel +Plastic holder		PBH-22B- \square X▲	
		Φ 22mm Circular Bezel +Nut holder		PBH-22D- \square X▲	
		Φ 22mm Standard Bezel +Nut holder		PBH-22E- \square X▲	
		3- Positions		Φ 22mm Standard Bezel +Metal holder	PBH-22A- \square X▲
				Φ 22mm Circular Bezel +Plastic holder	PBH-22B- \square X▲
	Φ 22mm Circular Bezel +Nut holder		PBH-22D- \square X▲		
	Φ 22mm Standard Bezel +Nut holder		PBH-22E- \square X▲		
	For contact details, See pg.32				

Type	Actions	Dimension & holder	Contact	Part No.
Illuminated Short-handle Selector Switches	2- Positions	Φ 22mm Circular Bezel + Nut holder	For contact details, See pg.32	PBH-22D- \square X▲D①
		Φ 22mm Standard Bezel +Nut holder		PBH-22E- \square X▲D①
	3-Positions	Φ 22mm Circular Bezel +Nut holder		PBH-22D- \square X▲D①
		Φ 22mm Standard Bezel +Nut holder		PBH-22E- \square X▲D①

- 1.In place of ① insert color table
- 2.In place of ② insert voltage table
- 3.In place of ▲ insert actions table

Dimensions (mm)



Illuminated Selector Switches

