



**Type PBH**  
Extend Pushbuttons\  
Illuminated Extend Pushbuttons

- Φ22mm
- Front bezel ( Aluminium ) :standard,circular
- Holder: Metal, Plastic, Nut
- Momentary & Maintained
- Wide range of lenses and lens colours
- Bright ,single or bi-color LED illumination
- IEC/EN 60947-5-1, UL 508, IEC/EN 60073, IEC/EN 60529

**Dimensions and style**

- 22A = Ø22mm Standard Bezel +Metal holder
- 22B = Ø22mm Circular Bezel+Plastic holder
- 22D = Ø22mm Circular Bezel+Nut holder
- 22E = Ø22mm Standard Bezel+Nut holder

Two different operator and three different holder can be combining free.

**Color①**

- R = Red
- Y = Yellow
- W = White
- G = Green
- B = Blue
- K\* = Black\*

**Voltage②**

- 21 = 6VAC/DC
- 22 = 12VAC/DC
- 23 = 24VAC/DC
- 26 = 48VAC/DC
- 27 = 110VAC/DC
- 28 = 220VAC/DC
- 31 = 220VDC
- 32 = 380VAC

**Product description**

Pushbutton switches are mechanical switches that are pushed down to open or to close the electric contacts. They are mostly used to start/stop electric circuits or devices like lamps, motors, etc.

They should be ordered in parts (operator+ holder +contact block) and installed in an enclosure.

**Types**

- H = Extend pushbuttons
- HD = Illuminated Extend pushbuttons<sup>1</sup>
- 1 = for details see pg.31

**Actions**

- Blank = Spring return
- T = Maintained

**General data**

Peripheral of actuator	AL
Actuator	PA
Mechanical life	≥3x10 <sup>5</sup> Cycles
Operating temperature	-25 to + 70°C ( -13 to+158°F )
Storage temperature	-30 to + 80°C ( -22 to+176°F )
Protection Degree	IP 65

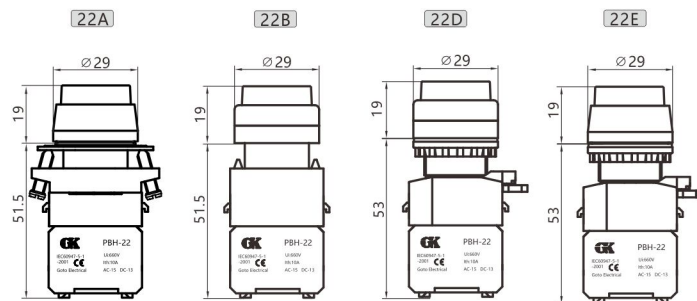
**Order code**

Style	Actions	Dimension & holder	Contact	Part No.	
Extend Pushbuttons	Momentary	Ø22mm Standard Bezel +Metal holder	In place of □ insert contact as follows: 2NO : 20 2NC : 02 1NO : 10 1NC : 01 1NO+1NC : 11	PBH-22A-□H/①	
		Ø22mm Circular Bezel +Plastic holder		PBH-22B-□H/①	
		Ø22mm Circular Bezel +Nut holder		PBH-22D-□H/①	
		Ø22mm Standard Bezel +Nut holder		PBH-22E-□H/①	
		Ø22mm Standard Bezel +Metal holder		PBH-22A-□HT/①	
	Maintained	Ø22mm Circular Bezel +Plastic holder		For contact details, See pg.32	PBH-22B-□HT/①
		Ø22mm Circular Bezel +Nut holder		PBH-22D-□HT/①	
		Ø22mm Standard Bezel +Nut holder		PBH-22E-□HT/①	
		Ø22mm Standard Bezel +Nut holder		PBH-22E-□HT/①	

Style	Actions	Dimension & holder	Contact	Part No.
Illuminated Extend Pushbuttons	Momentary	Ø22mm Standard Bezel +Metal holder	In place of □ insert contact as follows: 2NO : 20 2NC : 02 1NO : 10 1NC : 01 1NO+1NC : 11	PBH-22A-□HD②①
		Ø22mm Circular Bezel +Plastic holder		PBH-22B-□HD②①
		Ø22mm Circular Bezel +Nut holder		PBH-22D-□HD②①
		Ø22mm Standard Bezel +Nut holder		PBH-22E-□HD②①
		Ø22mm Standard Bezel +Metal holder		PBH-22A-□HTD②①
		Ø22mm Circular Bezel +Plastic holder		PBH-22B-□HTD②①
	Maintained	Ø22mm Circular Bezel +Nut holder		PBH-22D-□HTD②①
		Ø22mm Standard Bezel +Nut holder		PBH-22E-□HTD②①
		Ø22mm Standard Bezel +Nut holder		PBH-22E-□HTD②①

1. In place of ① insert color table
2. In place of ② insert voltage table
3. Except for the listed products models, Special and Customized Products are available. Please consult the factory for more details

**Dimensions (mm)**



**Illuminated Extend Pushbuttons**

