

S19 Emergency Stop Switch



- Very low back panel depth(21.2mm)
- Vandal resistant: Impact-resistant IK10, Front protection up to IP67
- Safety lock mechanism
- Direct opening action
- Optional M12 connection
- TÜV CE RoHS

Mounting Dimensions and styles

19=Φ19mm+Mushroom head
(skidproof vein)

Terminal

L=Solder/plug-in 2.8x0.5T
S=Solder 2.8X3.5
M=M12 connection

Contact arrangement①

11=1NO+1NC 02=2NC

Specifications

Protection Degree	IP67 from front of the panel ;		
Operator stroke	3.5 mm		
Service life	Mechanical	≥10×10 ⁵	
	Electrical	220V AC 0.5A ≥10×10 ⁴	
	Operating Frequency	1200 operations/hour	
Impulse withstand voltage	1800 V AC		
Insulation Resistance	≥100 MΩ		
Contact Resistance	< 25 MΩ		
Shock Resistance	Operating extremes:150m/s ² damage limits:1000m/s ²		
Vibration Resistance	Operating extremes:5 ~ 55Hz, amplitude 0.5mm acceleration 50 m/s ²		
Operating temperature	-25°C ~ +55°C (no freezing)		
Storage temperature	-40°C ~ +70°C (no freezing)		
Operating humidity	40 ~ 85%RH □ no condensation □		
Operating mode	press lock, rotation reset (Bilateral rotation,clockwise45°)		
Operating force	Maintained	about 10N	
	Spring-return	about 0.25 N·m	

Switch rating

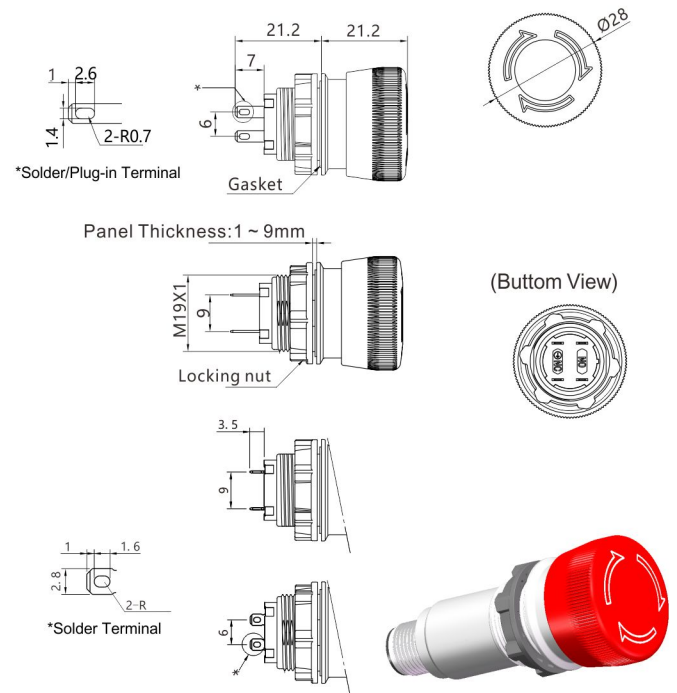
Rated Insulation Voltage U_i	250 V as per EN IEC 60947-1			
Rated Thermal Current I_{th}	5 A			
Item	Rated Operational Voltage U_e	24 V	110 V	220 V
AC-15	Rated Operation current I_e	2 A	1 A	0.5 A
DC-13		0.7 A	0.2 A	0.1 A

Ordering code

Shape/function	Terminal	Contact	Code	Note	
Ø19mm Mushroom head (skidproof vein)	Solder/plug-in 2.8*0.5T	1NO+1NC	S19-11ZL		
		2NC	S19-02ZL		
	Solder 2.8*3.5	1NO+1NC	S19-11ZS		
		2NC	S19-02ZS		
	M12 connection (4P)	1NO+1NC	S19-11ZM		Cable can be available
		2NC	S19-02ZM		

PS: Except for the listed products models, Special and Customized Products are available. please consult the factory for more details.

Outline Dimensional drawing^{mm}



Note: M12 type are available.

- Mounting Hole Layout & Mini Mounting spacing Reference P32
- Quick connector and wire length is possible.