



Type PBH  
Emergency Stop Switch\  
Key-reset Emergency Stop Switch

- Φ 22mm
- Front bezel ( Aluminium):standard,circular
- Holder : Metal,Plastic, Nut
- Push to lock,turn clockwise to reset
- Push to lock, unlock by turning the key
- Φ40mm Mushroom shape
- IEC/EN 60947-5-1,UL 508,IEC/EN 60073, IEC/EN 60529

Dimensions and style

- 22A = Ø22mm Standard Bezel +Metal holder
- 22B = Ø22mm Circular Bezel+Plastic holder
- 22D = Ø22mm Circular Bezel+Nut holder
- 22E = Ø22mm Standard Bezel+Nut holder

Two different operator and three different holder can be combining free.

Type

- Z = Φ40mm Mushroom
- ZY = Φ40mm Mushroom +Key

Actions

- Blank=Push to lock, turn to reset
- Y=Push to lock, unlock by turning the key

Product description

The STOP function is obtained by pushing the head while the pushing the head while the reset is obtained by turning clockwise the head or the key. It is used in dangerous situations When emergency measures are required. They should be ordered in parts ( operator+holder+contact black ) and installed in an enclosure.

General data

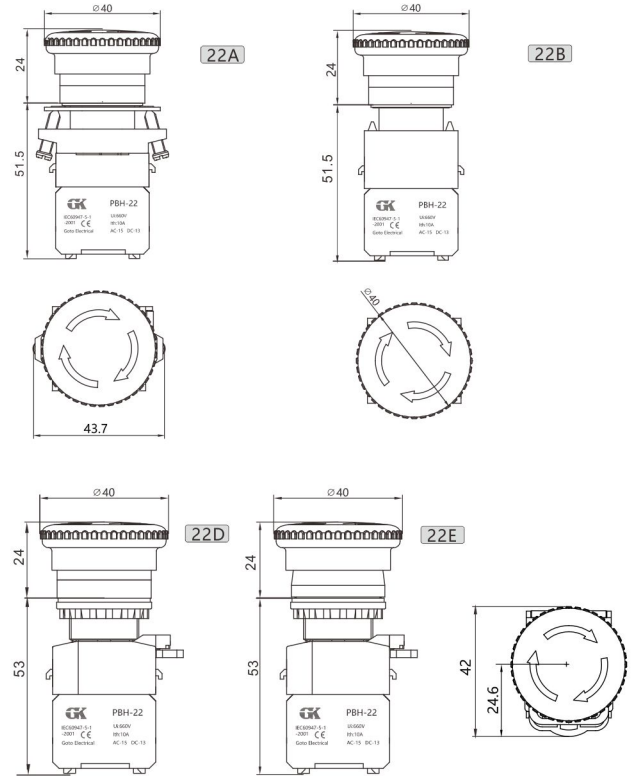
Peripheral of actuator	AL
Actuator	PA
Mechanical life	≥3x10 <sup>6</sup> Cycles
Operating temperature	-25 to + 70°C ( -13 to+158°F )
Storage temperature	-30 to + 80°C ( -22 to+176°F )
Protection Degree	IP 65

Order code

Type	Actions	Dimension & holder	Contact	Part No.
Emergency Stop Switches	Push to lock ,turn to reset	Ø22mm Standard Bezel +Metal holder	In place of □ insert contact as follows: 2NO : 20 2NC : 02 1NO : 10 1NC : 01 1NO+1NC : 11	PBH-22A-□Z
		Ø22mm Circular Bezel +Plastic holder		PBH-22B-□Z
		Ø22mm Circular Bezel +Nut holder		PBH-22D-□Z
		Ø22mm Standard Bezel +Nut holder		PBH-22E-□Z
	Push to lock, unlock by turning the key	Ø22mm Standard Bezel +Metal holder	PBH-22A-□ZY	
		Ø22mm Circular Bezel +Plastic holder	PBH-22B-□ZY	
		Ø22mm Circular Bezel +Nut holder	PBH-22D-□ZY	
		Ø22mm Standard Bezel +Nut holder	PBH-22E-□ZY	

1.Except for the listed products models, Special and Customized Products are available. Please consult the factory for more details

Dimensions (mm)



Key-reset Emergency Stop Switch

