

Keylocks (High Security)



Distinctive Characteristics

Rugged, SUS304 housing models designed for higher security requirements
Keylock Compact satisfies the needs of use, back panel depth (27mm)
High insulating material for 16mm&19mm models withstands over 2.5KV
Simple and reliable operation of mechanism combines for high reliability
High front protection IP69K and IP67

General Specifications

Electrical Capacity (Resistive Load) :

Power Level: 5A @250VAC

Other Ratings

Contact Resistance: 50mΩ Max.

Insulation Resistance: 1000MΩ, 500VDC

Dielectric Strength: 2500V AC Min. between contacts for 1 minute

2500V AC Min. between contacts & case for 1 minute

Mechanical Life: 50,000 cycles

Electrical Life: 50,000 cycles

Nominal Operating Torque: 0.26Nm

Contact Timing: Break-before-make

Angle of Throw: 90° for 2-position

Materials & Finishes

Keys: Iron with chrome plated(matte)

Bushing: Zinc alloy with chrome plated (matte)

Housing: SUS304

Contact Base: PA66

Contact: Copper with silver plated

Terminals: Copper with silver plated

Environmental Data

Operating Temperature: -25°C ~ +70°C

Humidity: 90~95% humidity for 96 hours@40°C

Vibration: 10~55Hz with peak-to-peak amplitude of
1.5mm traversing the frequency rang &
returning in 1 minute

Shock: 490m/s²

Installation

Mounting Torque: Max. 1.5Nm

Soldering Time & Temperature: 60W (350°C) 3 seconds

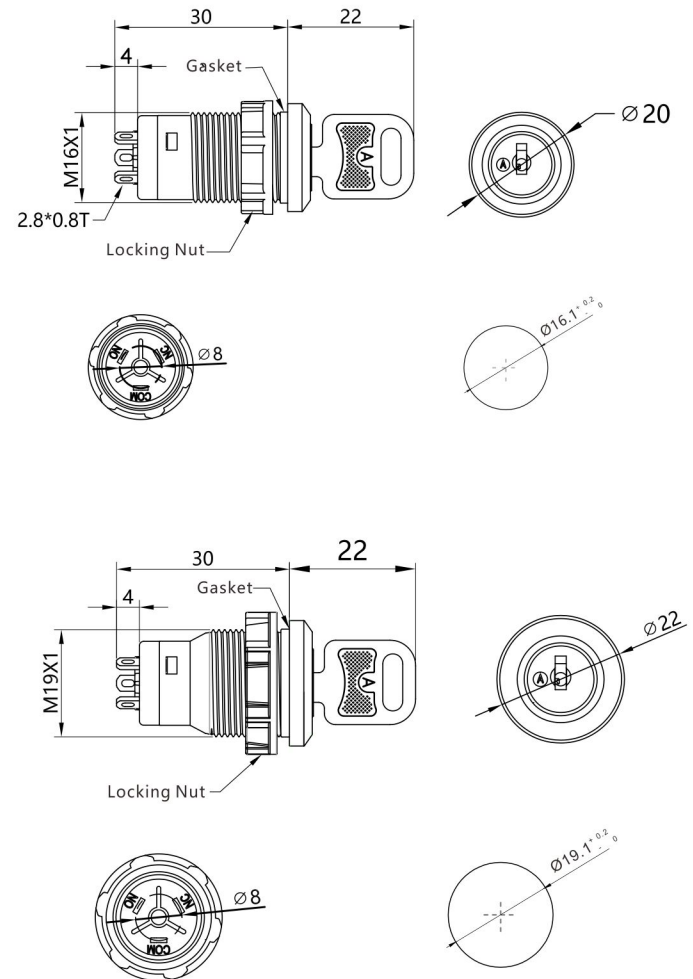
Typical applications

Used for power startup & shutdown

Ordering code

Shape/Dimensional	Terminal	Part No.	Note
16mm	Soldering	S16-Y	
16mm	Soldering	S19-Y	

PS: Except for the listed products models, Special and Customized Products are available, please consult the factory for more details.

Outline Dimensional drawing_{mm}

Note: The limit size of the shell is available.