

Product Shape

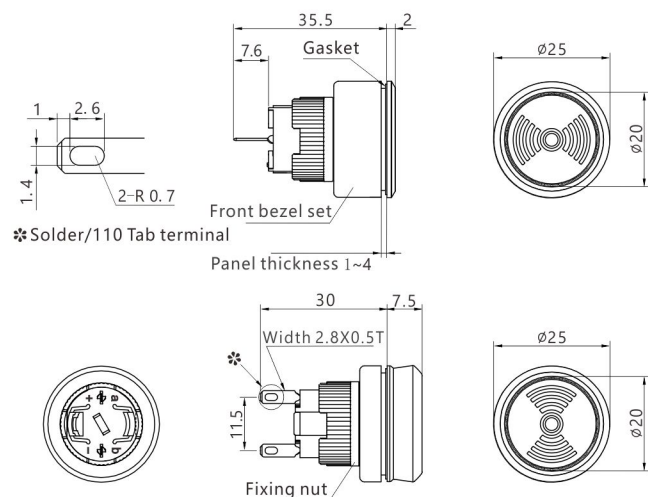


Specification

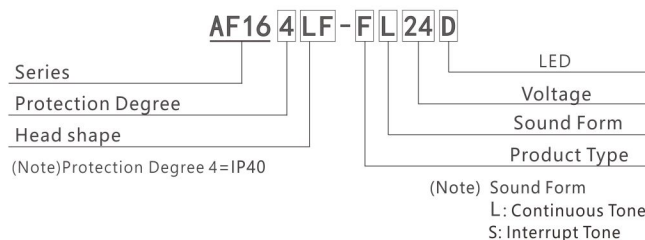
Rated Insulation Voltage	30V DC
Rated Operating Voltage	12V DC \pm 10%、24V DC \pm 10%.
Current Draw	40 mA
Insulation Resistance	\geq 100 M Ω
Sound Pressure (at0.1m)	Steady sound: 80dB minium (at the rated voltage)
Operating Temperature	-25°C ~ +55°C (no freezing)
Storage Temperature	-40°C ~ +70°C (no freezing)
Operating Humidity	40~85%RH (no condensation)

Outline Dimensional Drawing (mm)

- Continuous Tone



Model Specifications

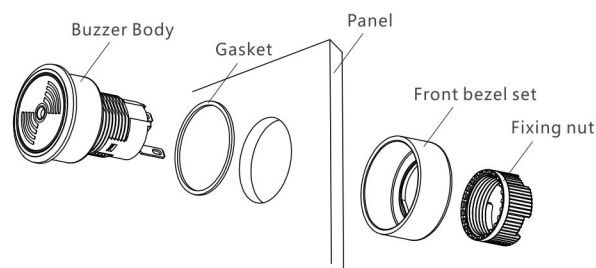


Style	Sound	Part No.		Voltage①	Color②
		without LED	with LED		
Round (YS)	Continuous	AF164YS-FC①	AF164YS-FIC①②	6: 6VAC/DC 12: 12VAC/DC 24: 24VAC/DC	R
	Interrupt	AF164FS-FP①	AF164YS-FIP①②		
Square (FS)	Continuous	AF164FS-FC①	AF164FS-FIC①②	24: 24VAC/DC	Y
	Interrupt	AF164FS-FP①	AF164FS-FIP①②		

1. For part numbers specify:

- Voltage in place of ①. 6(06VACDC); 12(12VACDC); 24(24VACDC);
- LED in place of ②. R(Red); G(Green)

Installation Method



Contact Type and Terminal Arrangement

