

□ Lens and LED Color

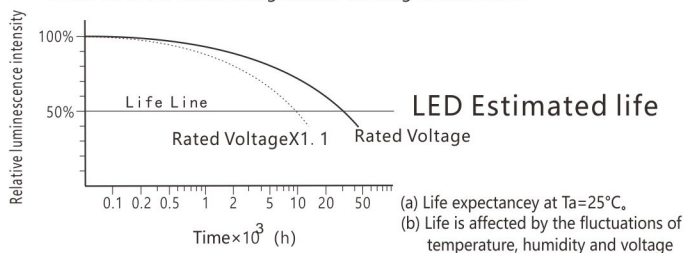
- Pilot lamp & illuminated Pushbuttons

Lens color		Code	LED Color		Code
Red		R	Red		R
Green		G	Green		G
Yellow		Y	Yellow		Y
Blue		B	Blue		B
White		W	White		W
Amber		A	Amber		A

□ Lamp Life

Model	Life	Judgement Criterion
LED Bulb	30000h	The brightness reduce to 50% of the initial value

- When Lit at the rated voltage under working environment



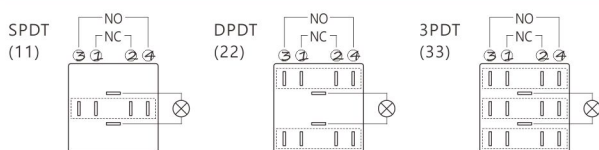
□ Mini Mounting spacing and hole layout (mm)

- Pilot lamp, Pushbuttons & Selector Switch

Round	Square	Rectangular

(Note): When the installation spacing is determined, it should be considered of convenient operation and easy wiring job.

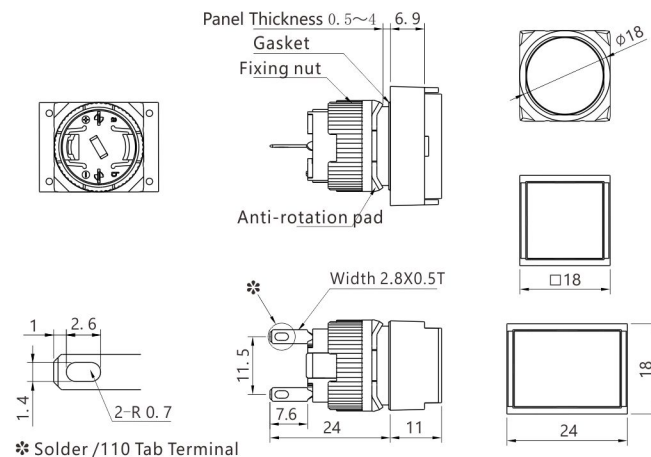
□ Contact Type and Terminal Arrangement



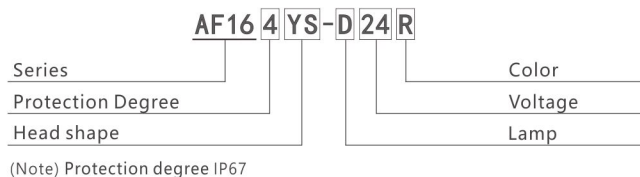
□ Product Shape

Round (Y)	Square (F)	Rectangular (J)
CE	CE	CE

□ Outline Dimensional drawing (mm)



□ Model Specification



Shape	Part No.	Voltage①	Color②
	IP67		
Round	AF165YS-D①②	详见下列表格	详见下列表格
Square	AF165FS-D①②		
Rectangular	AF165JS-D①②		