

CF5T Illuminated touch button
and pick-to-light

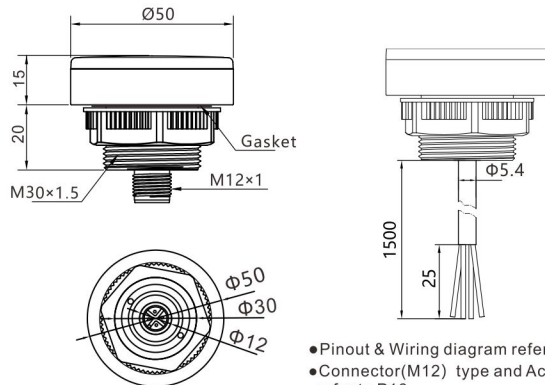
Compact model

- Simple operation with the touch of a finger
- Input/output independent
- Output Model NO or NC available
- Inputs/outputs PNP or NPN available,
- one-, two- and three-color models available to solve a variety of applications
- Can be actuated with bare hands or gloves
- Cabled and Quick disconnect models available
- Ideal for use in abusive environments, featuring rugged, fully encapsulated construction.

Specification

Rated voltage	24VDC
Supply Current	<35mA Max.
Supply/output protection Circuitry	Protected against reverse polarity voltages
output Rating	Max. load: 150mA , ON-state saturation voltage: <2V dc at 10mA Off-state leakage current <
Output response Time	150 milliseconds on and off
Power-up Delay	300 milliseconds
construction	Housing: Aluminum (Anodizing black) Translucent dome: PC Mounting nut: PA
Connections	M12 quick connection or Cable 1.5M
Mounting	M22x1 Threaded base, Max torque 2 N•m
Operating Conditions	-25°C ~ +55°C ; Humidity: 85% RH (no condensation)
Storage Temperature	-40°C ~ +70°C (no freezing)
Vibration and Mechanical Shock	All models meet IEC60947-5-2;
Environmental Rating	IEC IP67, IP69K per DIN 40050-9

Outline Dimensional drawing (mm)



- Pinout & Wiring diagram refer to PG.15
- Connector (M12) type and Accessories refer to P16
- Cable length are available

Order code

sharp	Input/Output	Connection	Fuction/LED color	order code				
Ø50mm standard models+ Touch Buttons& Pick-to-light	output model: NO	Quick Connector M12	F1: LED indicator are independent	1 color	CF5T1NQ-F1/▲			
				2 color	CF5T1NQ-F1/▲•▲			
				2 color	CF5T1NQ-F1/▲▲			
				3 color	CF5T1NQ-F1/▲▲•▲			
				3 color	CF5T1NQ-F1/▲▲▲			
				1 color	CF5T1PQ-F1/▲			
	output model: NO	Quick Connector M12	F2: LED indicator are pre-setted	2 color	CF5T1PQ-F1/▲•▲			
				2 color	CF5T1PQ-F1/▲▲			
				3 color	CF5T1PQ-F1/▲▲•▲			
				3 color	CF5T1PQ-F1/▲▲▲			
				output model: Momentary	Quick Connector M12	F2: LED indicator are pre-setted	1 color	CF5T1PQ-F2/▲
							2 color	CF5T1PQ-F2/▲•▲
2 color	CF5T1PQ-F2/▲▲							
input/output: PNP	Quick Connector M12	F2: LED indicator are pre-setted	3 color	CF5T1PQ-F2/▲▲•▲				
			3 color	CF5T1PQ-F2/▲▲▲				
			3 color	CF5T1PQ-F2/▲▲▲				

- The operating pressure can be pre-set according to the requirements
- A variety of mounting supports and accessories are optional
- other logic functions , contact Goto Engineering.