

Ø40mm Signal Tower Light



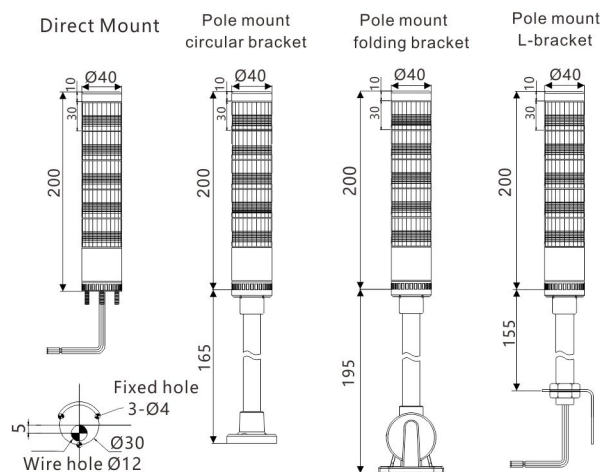
- Small size designs, suitable for various of small and medium precision equipment .
- Modular design and simple wiring for fast field configuration also available
- Built-in Buzzer ,optional 85dB at 1m
- Available in of black housing
- Available in transparent Lens
- IP66 water and dust resistance
- NPN/PNP open-collector.

CE

Specification

Outline Size	Φ 40mm
Input Voltage	12VAC/DC ;24VAC/DC;110V AC;220V AC
Function Available	Steady,Flashing,Buzzer
Material	Lens-PC, Cover /Body-ABS/PC
LED Unit Tiers	5 tiers
LED Unit Color	Red,Green,Yellow,Blue,White
Work Temperature	-15°C ~ +40°C (No Freezing)
Store Temperature	-20°C ~ +70°C (No Freezing)
Humidity	40 ~ 85%RH (No condensation)
Vibration resistance	10 ~ 55Hz, Amplitude 0.75mm
Installation category	Direct Mount: 3-point hole mounting
	Pole mount :L-bracket;circular bracket; folding bracket
Protection class	IP67

Dimension (mm)



Ordering code

Mounting mode	Tiers	Code		
		Bright	Bright+Flashing+buzzer	Bright+buzzer
Direct Mount (W)	1	TLM4S-1▲-□-W	TLM4S-1▲A-□-W	TLM4S-1▲B-□-W
	2	TLM4S-2▲-□-W	TLM4S-2▲A-□-W	TLM4S-2▲B-□-W
	3	TLM4S-3▲-□-W	TLM4S-3▲A-□-W	TLM4S-3▲B-□-W
	4	TLM4S-4▲-□-W	TLM4S-4▲A-□-W	TLM4S-4▲B-□-W
	5	TLM4S-5▲-□-W	TLM4S-5▲A-□-W	TLM4S-5▲B-□-W
Pole mount with circular bracket (P)	1	TLM4S-1▲-□-P	TLM4S-1▲A-□-P	TLM4S-1▲B-□-P
	2	TLM4S-2▲-□-P	TLM4S-2▲A-□-P	TLM4S-2▲B-□-P
	3	TLM4S-3▲-□-P	TLM4S-3▲A-□-P	TLM4S-3▲B-□-P
	4	TLM4S-4▲-□-P	TLM4S-4▲A-□-P	TLM4S-4▲B-□-P
	5	TLM4S-5▲-□-P	TLM4S-5▲A-□-P	TLM4S-5▲B-□-P
Pole mount with folding bracket (Z)	1	TLM4S-1▲-□-Z	TLM4S-1▲A-□-Z	TLM4S-1▲B-□-Z
	2	TLM4S-2▲-□-Z	TLM4S-2▲A-□-Z	TLM4S-2▲B-□-Z
	3	TLM4S-3▲-□-Z	TLM4S-3▲A-□-Z	TLM4S-3▲B-□-Z
	4	TLM4S-4▲-□-Z	TLM4S-4▲A-□-Z	TLM4S-4▲B-□-Z
	5	TLM4S-5▲-□-Z	TLM4S-5▲A-□-Z	TLM4S-5▲B-□-Z
Pole mount with L-bracket (K)	1	TLM4S-1▲-□-K	TLM4S-1▲A-□-K	TLM4S-1▲B-□-K
	2	TLM4S-2▲-□-K	TLM4S-2▲A-□-K	TLM4S-2▲B-□-K
	3	TLM4S-3▲-□-K	TLM4S-3▲A-□-K	TLM4S-3▲B-□-K
	4	TLM4S-4▲-□-K	TLM4S-4▲A-□-K	TLM4S-4▲B-□-K
	5	TLM4S-5▲-□-K	TLM4S-5▲A-□-K	TLM4S-5▲B-□-K

- ▲ Reference to Voltage code
02: 24VACDC, 22: 100V~250VACDC

- □ Reference to LED color code
R: red, Y: Yellow, G: Green, B: Blue, W: White
from top to bottom

※ Available with transparent lens and black body (special order)

- Add [C] after the LED unit tiers and add [U] before the mount mode in the order model

Model Number Example

TLM4S-3C02A-RYG-UK

- Φ40 • LED 3tiers • transparents • 24VACDC • Full function ,with flashing/ buzzer • from Red • Yellow • Green • black • Pole Mount with folding bracket