

## Ø25mm Signal Tower Light



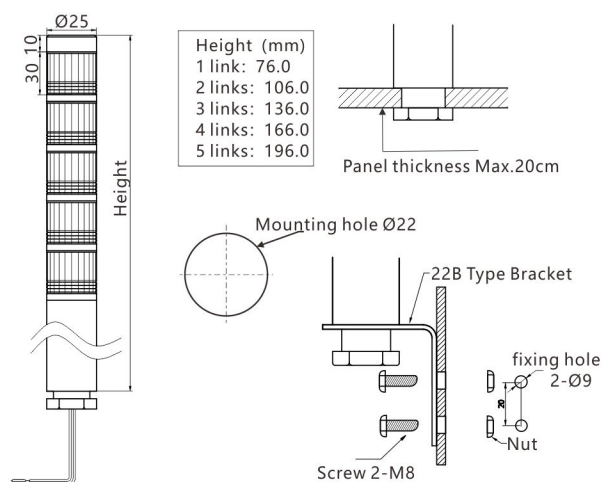
- Ideal for status indication on small size pieces of equipment.
- Corrosion resistant aluminum body and impact, heat resistant Polycarbonate lenses
- Built-to-Buzzer, Optional 75dB
- Available in Aluminum black anodized
- Available in transparent Lens
- IP65 water and dust resistance
- NPN/PNP open-collector

CE

### Technical Datas

Outline Size	Φ 25mm
Input Voltage	12VAC/DC ;24VAC/DC
Function Available	Bright\Buzzer
Material	Lens-PC, Cover-PC/ABS,Body/locknut-Aluminum,
LED Modular tiers	5 tiers
LED Modular Color	Red,Green,Yellow,Blue,White
Work Temperature	-15°C ~ +40°C (No freezing)
Store Temperature	-20°C ~ +70°C (No freezing)
Humidity	40 ~ 85%RH (No condensation)
Vibration resistance	10 ~ 55Hz, Amplitude 0.75mm
Installation category	Direct Mount:M30 nut or 3-point hole mounting Pole mount :L-bracket;circular bracket; folding bracket
Protection class	IP54

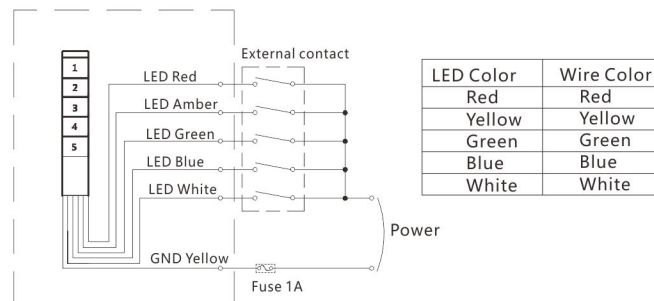
### Dimension (mm)



### Ordering code

Mounting mode	Tiers	Voltage▲	Color●	Code	
				Bright	Bright+buzzer
Direct Mount	1	02:24V ACDC	R,Y,G,B,W	TLM2S-1▲-□-W	TLM2S-1▲B-□-W
	2		RY,RG	TLM2S-2▲-□-W	TLM2S-2▲B-□-W
	3		RYG,RYB	TLM2S-3▲-□-W	TLM2S-3▲B-□-W
	4		RYGB	TLM2S-4▲-□-W	TLM2S-4▲B-□-W
	5		RYGBW	TLM2S-5▲-□-W	TLM2S-5▲B-□-W
Pole mount -L bracket	1	02:24V ACDC	R,Y,G,B,W	TLM2S-1▲-□-K	TLM2S-1▲B-□-K
	2		RY,RG	TLM2S-2▲-□-K	TLM2S-2▲B-□-K
	3		RYG,RYB	TLM2S-3▲-□-K	TLM2S-3▲B-□-K
	4		RYGB	TLM2S-4▲-□-K	TLM2S-4▲B-□-K
	5		RYGBW	TLM2S-5▲-□-K	TLM2S-5▲B-□-K

### Wiring Diagram



Transistor (NPN/PNP)	
Current Capacity	Ic≥50mA
Withstand Voltage	Vc≥35V
Leakage Current	IL<0.1mA

