



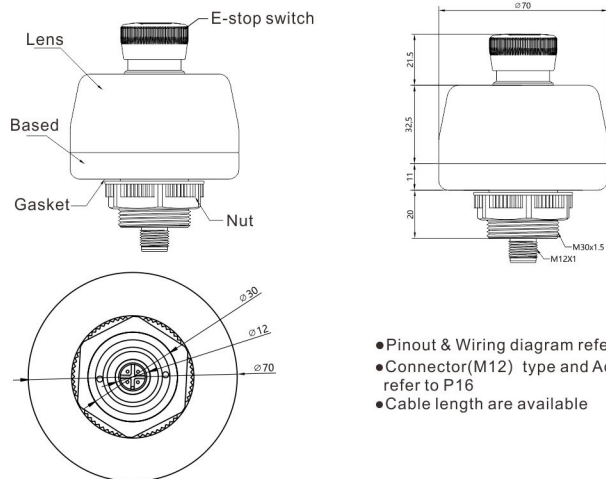
C7K Illuminated E-Stops

- Combining the Feature of C7 indicator and S19 Emergency stop switches, Physical force to operate
- Up to three independent colors in one unit
- Independent input/output models.
- Rugged, Fully encapsulated construction IP69K, Suitable for the high-pressure wash jet environment
- Immune to EMI and RFI interference
- Cabled and Quick disconnect models available

Specification

Rated voltage	24VDC
Supply Current	<35mA Max.
Supply/output protection Circuitry	Protected against reverse polarity voltages
output Rating	Max.load:150mA , ON-state saturation voltage:<2V dc at 10mA Off-state leakage current<
construction	Hosing:Aluminum (Anodizing black) Push button: stainless steel Translucent dome:PC;Mounting nut:PA
Connections	M12 quick connection or Cable 1.5M
Mounting	M30x1.5 Threaded base,Max torque 2.25 N•m
Operating Conditions	-25°C ~ +55°C; Humidity:85% RH(no condensation)
Storage Temperature	-40□ □ +70□ □ no freezing□
Vibration and Mechanical Shock	All models meet IEC60947-5-2;
Environmental Rating	IEC IP67,IP69K per DIN 40050-9

Outline Dimensional drawing (mm)



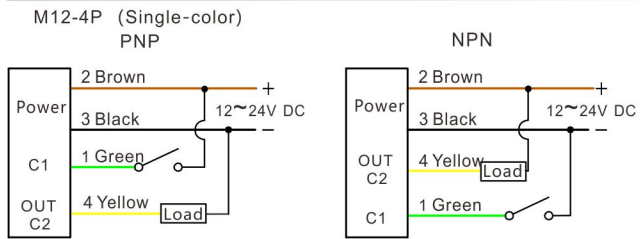
- Pinout & Wiring diagram refer to PG.15
- Connector(M12) type and Accessories refer to P16
- Cable length are available

Order code

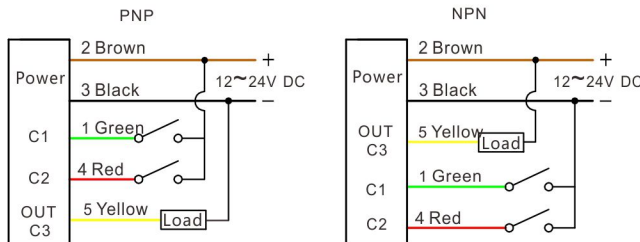
sharp	Input /Output	Connection	Fuction/LED color	order code			
Ø70mm Illuminated E-stops	output model □ NO output state : Momentary input/output □ NPN	Quick Connector M12	F1: LED indicator are indep- endent	1 color	C7K1NQ-F1/▲		
				2 color	C7K1NQ-F1/▲•▲		
				2 color	C7K1NQ-F1/▲▲▲		
				3 color	C7K1NQ-F1/▲▲•▲		
				3 color	C7K1NQ-F1/▲▲▲▲		
				1 color	C7K1PQ-F1/▲		
	output model : NO output state : Momentary input/output : PNP	Quick Connector M12	F2: LED indicator are pre- setted	2 color	C7K1PQ-F1/▲•▲		
				2 color	C7K1PQ-F1/▲▲▲		
				3 color	C7K1PQ-F1/▲▲•▲		
				3 color	C7K1PQ-F1/▲▲▲▲		
Ø70mm Illuminated E-Stops				Quick Connector M12	F2: LED indicator are pre- setted	1 color	C7K1NQ-F2/▲
						2 color	C7K1NQ-F2/▲•▲
	2 color	C7K1NQ-F2/▲▲▲					
	3 color	C7K1NQ-F2/▲▲•▲					
	3 color	C7K1NQ-F2/▲▲▲▲					
	1 color	C7K1PQ-F2/▲					
Output model : NO Output state : Momentary Input/output : PNP	Quick Connector M12	F2: LED indicator are pre- setted	2 color	C7K1PQ-F2/▲•▲			
			2 color	C7K1PQ-F2/▲▲▲			
			3 color	C7K1PQ-F2/▲▲•▲			
			3 color	C7K1PQ-F2/▲▲▲▲			
			3 color	C7K1PQ-F2/▲▲▲▲			
			3 color	C7K1PQ-F2/▲▲▲▲			

- The operating pressure can be pre-set according to the requirements
- A variety of mounting supports and accessories are optional
- other logic functions , contact Goto Engineering.

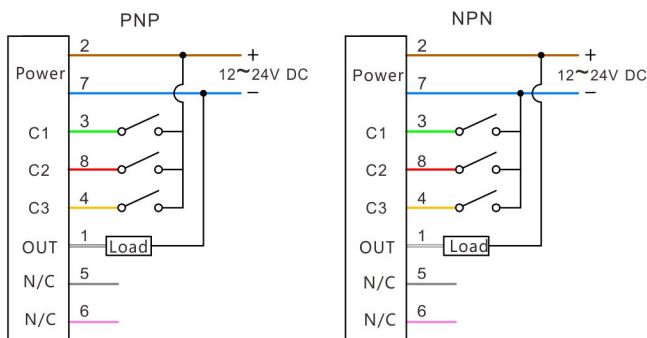
Pinout & Wiring diagram (Touch button & Pick-to-light)



M12-5P Bi-color

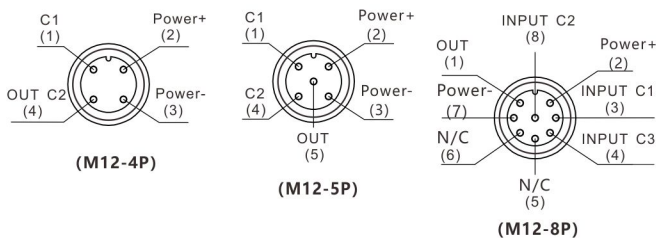


M12-8P Tri-color



1=White, 2=Brown, 3=Green, 4=Yellow, 5=Gray, 6=Pink, 7=Blue, 8=Red

Pinout (Female)



Accessories and Brackets

Name	Code	Specification	Outline Dimensions
M12 connector (4P)	Straight: M12-4P Right-Angle: M12-4P/L	M12 connector (4Pins) with 1.5M cable, for C series Multi-color Indicator	Straight Right-Angle
M12 connector (5P)	Straight: M12-5P Right-Angle: M12-5P/L	M12 connector (5Pins) with 1.5M cable, for C series Multi-color Indicator	Straight Right-Angle
Bracket (C3)	C3-L	Side Mount For C3 & C3T Multi-color indicator and Touch switch	$\varnothing 30$, 25, 15, 10, 5.5, 2.5, 3
mounting pipe (C3)	C3-P	Column mount of C3 & C3T Multi-color indicator and Touch switch	$\varnothing 30$, 108.5(+), $\varnothing 21.8$, 150, 1.5, M2x1
Bracket (C5)	C5-L	Side Mount For C5 & C5T Multi-color indicator and Touch switch	$\varnothing 45$, $\varnothing 30$, 32.8, 10, 10, 10, 1.5, 3.5, 5, 3
mounting pipe (C5)	C5-P	Column mount of C5 & C5T Multi-color indicator and Touch switch	$\varnothing 50$, 40, 35, 1.5, 1-10, A: 150mm, B: 150mm, C: 250mm, M3x1.5, Across 38, $\varnothing 40$