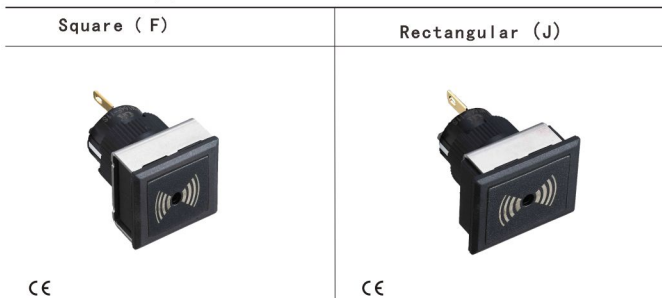


Product Appearance

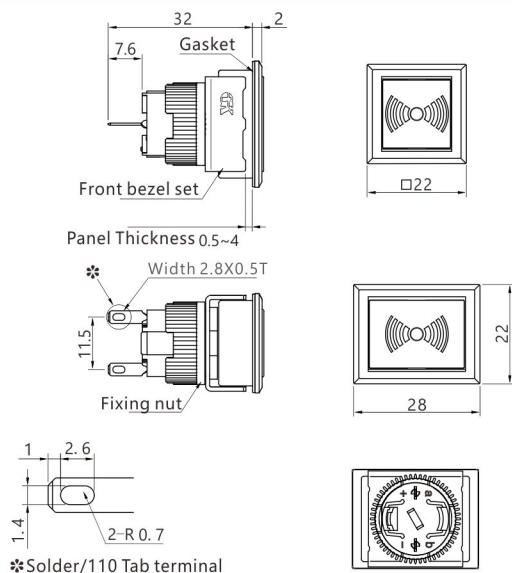


Specifications

Rated Insulation Voltage	30V DC
Rated Operating Voltage	12V DC $\pm$ 10%、24V DC $\pm$ 10%、
Current Draw	40 mA
Insulation Resistance	$\geq$ 100 M $\Omega$
Sound Pressure (at0.1m)	Steady sound: 80dB minium (at the rated voltage)
Operating Temperature	-25°C ~ +55°C (no freezing)
Storage Temperature	-40°C ~ +70°C (no freezing)
Operating Humidity	40~85%RH (no condensation)

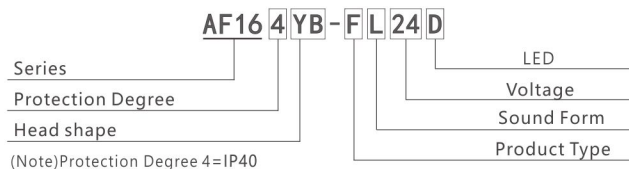
Outline Dimensional Drawing (mm)

- Continuous Tone



\*Solder/110 Tab terminal

Model Specifications

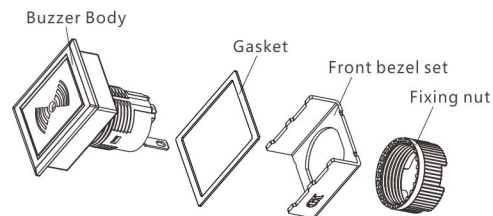


Style	Sound	Part No.		Voltage①	Color②
		without LED	with LED		
Round (YS)	Continuous	AF164YS-FC①	AF164YS-FIC①②	6: 6VAC/DC 12: 12VAC/DC 24: 24VAC/DC	R Y
	Interrupt	AF164FS-FP①	AF164YS-FIP①②		
Square (FS)	Continuous	AF164FS-FC①	AF164FS-FIC①②		
	Interrupt	AF164FS-FP①	AF164FS-FIP①②		
Rectangular (JS)	Continuous	AF164JS-FC①	AF164JS-FIC①②		
	Interrupt	AF164JS-FP①	AF164JS-FIP①②		

1.For part numbers specify:

- Voltage in place of ①. 6(06VACDC); 12(12VACDC);24(24VACDC);
- LED in place of ②.R(Red);G(Green)

Installation Method



Contact Type and Terminal Arrangement

