



Ø90mm LED Signal light

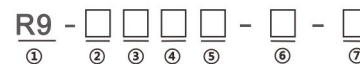
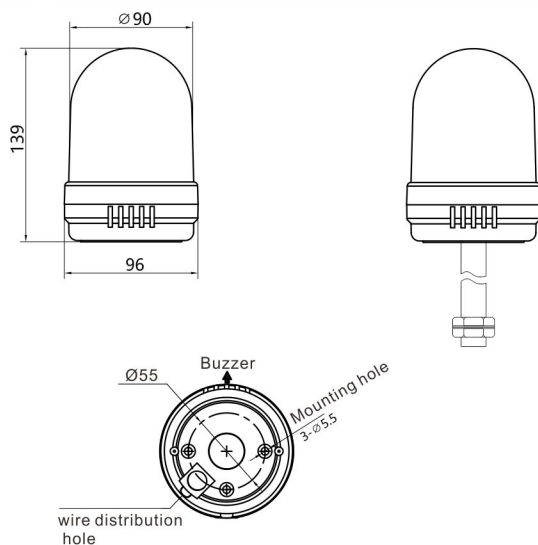
- Dome design, effectively prevent surface dirt and dust deposition
- Features simultaneous use of continuous, flashing, and audible alarm conditions
- Available in 12VDC, 24VDC, 48VDC and 90-250VDC
- Vibration Resistance of 9G(90m/s²)
- Indoor/outdoor Use-IP66



Specification

Rated Voltage	12VACDC\24VACDC\48VACDC, 90~250VAC
Outline Size	Φ90mm
Function	Brightness ,rotating;flashing,Buzzer
Material	Lens-PC, Body-ABS
Lens color	Red, Yellow, Green, Blue, White
Work Temperature	-15°C ~ +40°C (No Freezing)
Store Temperature	-20°C ~ +70°C (No Freezing)
Humidity	40~85%RH (No Condensation)
Vibration resistance	10~55Hz, Amplitude 0.75mm
Protection class	IP65

Outline Dimensional drawing (mm)



1.Shape+Size

R9 | 90mm Dome

3.Voltage

01 | 12V AC/DC
02 | 24V AC/DC
11 | 110V AC
22 | 220V AC

5.Voice type

No Buzzer
A | Continuous
B | Interrupt tone

7.Mounting way

W | Direct Mount
L | Side Mount

3.Lens color

Colors
C | Transparents

4.function※

Brightness
F | Flashing
T | Rotating
B | Buzzer

6.LED color ※

R | Red
G | Green
Y | Yellow
B | Blue
W | White

※ Models are available with up to three colors in one device

Wire Diagram (TLM Series)

