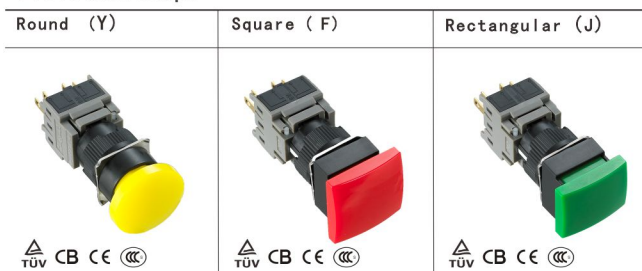
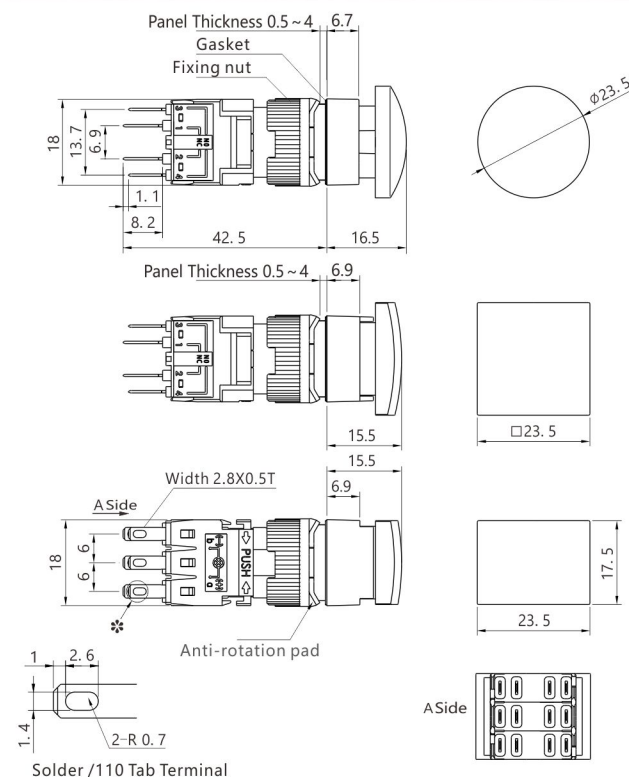


Product Shape

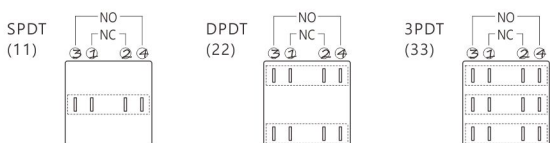


Outline Dimensional drawing (mm)

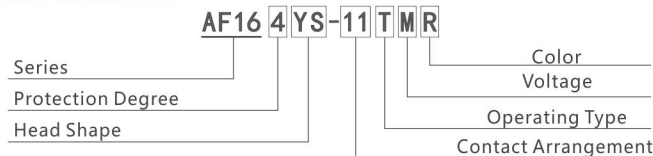


Contact Type and Terminal Arrangement

- Mushroom Switch, Selector Switch & Key Switch



Model Specifications

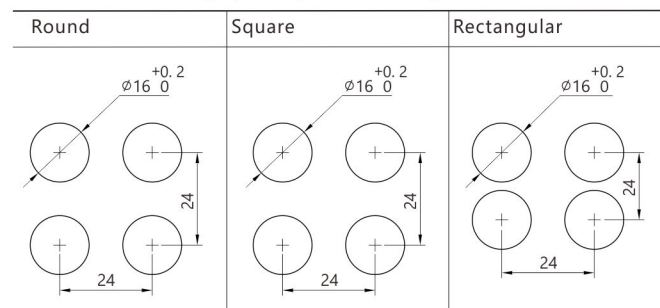


Style	Operation	Contact	Part No.	Note
Round (YS)	Momentary	SPDT	AF16□YS-11M/②	
		DPDT	AF16□YS-22M/②	
		3PDT	AF16□YS-33M/②	
	Maintained	SPDT	AF16□YS-11MT/②	
		DPDT	AF16□YS-22MT/②	
		3PDT	AF16□YS-33MT/②	
Square (FS)	Momentary	SPDT	AF16□FS-11M/②	
		DPDT	AF16□FS-22M/②	
		3PDT	AF16□FS-33M/②	
	Maintained	SPDT	AF16□FS-11MT/②	
		DPDT	AF16□FS-22MT/②	
		3PDT	AF16□FS-33MT/②	
Rectangular (JS)	Momentary	SPDT	AF16□JS-11M/②	
		DPDT	AF16□JS-22M/②	
		3PDT	AF16□JS-33M/②	
	Maintained	SPDT	AF16□JS-11MT/②	
		DPDT	AF16□JS-22MT/②	
		3PDT	AF16□JS-33MT/②	

1. For part numbers specify:

- Protection degree in place of □: 4(IP54); 5(IP65)
- Mushroom color in place of ②: R(Red);G(Green);Y(Yellow);B(Blue);W(White), A(Ambe);BL(Black).

Mini Mounting spacing and hole layout mm



(Note) When the installation spacing is determined, It should be considered of convenient operation and easy wiring job.