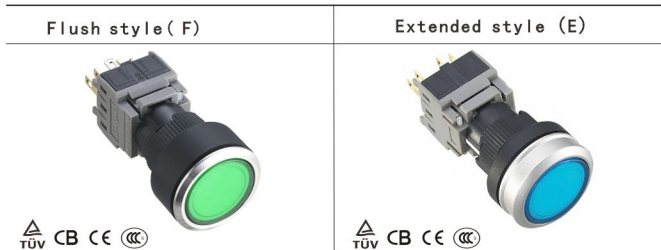
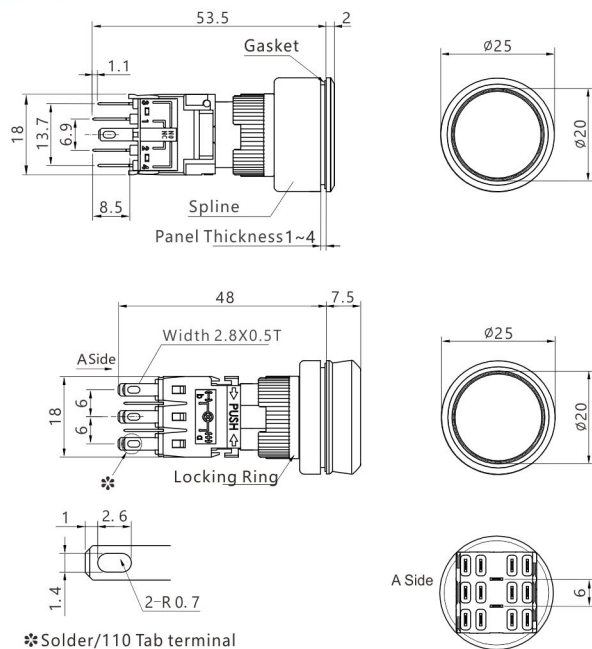


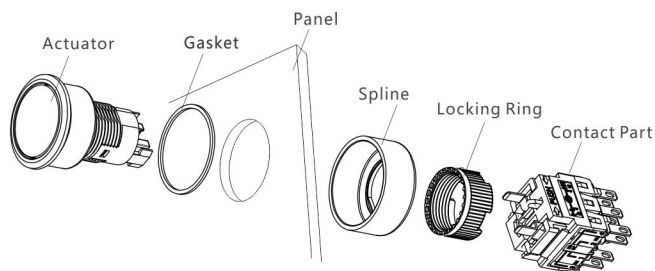
Product Shape



Outline Dimensional drawing (mm)



Installation Method



Model Specifications

	AF16	7	LF	-11	DT	24	R	
Series								Color ②
Protection Degree								Voltage ①
Head Shape								Operation
								Illumination
								Contact

Style	Operation	Contact	Part No.		Note
			No-Illumination	Illumination	
Flush (LF)	Momentary	SPDT	AF16□LF-11/②	AF16□LF-11D①②	
		DPDT	AF16□LF-22/②	AF16□LF-22D①②	
		3PDT	AF16□LF-33/②	AF16□LF-33D①②	
	Maintained	SPDT	AF16□LF-11T/②	AF16□LF-11DT①②	
		DPDT	AF16□LF-22T/②	AF16□LF-22DT①②	
		3PDT	AF16□LF-33T/②	AF16□LF-33DT①②	
Extend (LE)	Momentary	SPDT	AF16□LE-11/②	AF16□LE-11D①②	
		DPDT	AF16□LE-22/②	AF16□LE-22D①②	
		3PDT	AF16□LE-33/②	AF16□LE-33D①②	
	Maintained	SPDT	AF16□LE-11T/②	AF16□LE-11DT①②	
		DPDT	AF16□LE-22T/②	AF16□LE-22DT①②	
		3PDT	AF16□LE-33T/②	AF16□LE-33DT①②	

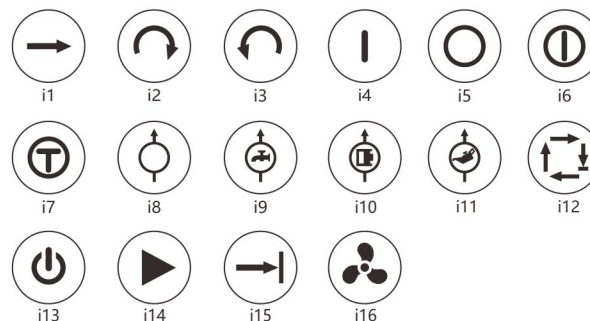
1. For part numbers specify:

- Protection degree in place of □: 4(IP54); 7(IP67)
- LED voltage in place of ①: 6(06VACDC); 12(12VACDC); 48(48VACDC); 110(110VACDC); 220(220VACD)

- Lens /LED in place of ②: R(Red); G(Green); Y(Yellow); B(Blue); W(White); A(Ambe); BL(Black), only for non-illumination.

2. Lens can be used with legend markings. Engraving can be done on a marking plate which is placed into the lens, or a clear film can be printed and placed under the lens. For details on the marking plate and film.

Printing Symbol list for Pilot lamp and Pushbuttons



Contact Type and Terminal Arrangement

