

90mm Wall Mounting Semicircular  
LED Signal Lights

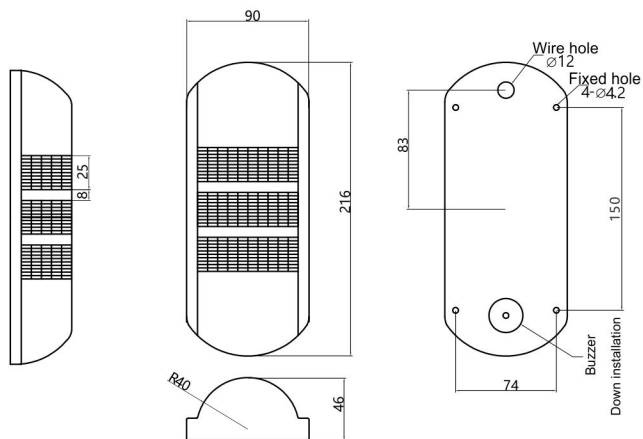
- Ultra high brightness LED
- 46mm thick, slim product offers seamless integration with the equipments
- Optional built-in Buzzer
- IP65

CE

## Specifications

Outline Size	90mm
Input Voltage	12VAC/DC; 24VAC/DC; 110V AC; 220V AC
Function	Brightness \ Buzzer
Material	Lens-PC, Bodu-ABS
LED Modular	Lens-PC, Bodu-ABS
LED Modular Color	Red, Yellow, Green
Work Temperature	-15°C ~ +40°C (No Freezing)
Store Temperature	-20°C ~ +70°C (No Freezing)
Humidity	40 ~ 85%RH (No Condensation)
Vibration resistance	10 ~ 55Hz, Amplitude 0.75mm
Installation category	III
Protection class	IP65

## Outline Dimensional drawing (mm)



## Model Specification

HB9V -         -    

①    ②    ③    ④    ⑤    ⑥

## 1. Product type

V | Wall - mounting

## 2. Stacks

3 | 3 Tiers

## 3. Voltage

01 | 12V AC/DC

02 | 24V AC/DC

## 4. Body Color

Ivory

U | Chroming

## 5. Voice type

No Buzzer

A | Continuous

B | Interrupt tone

## 6. LED Color

R | Red

G | Green

Y | Yellow

## Wire Diagram (TLM Series)

