




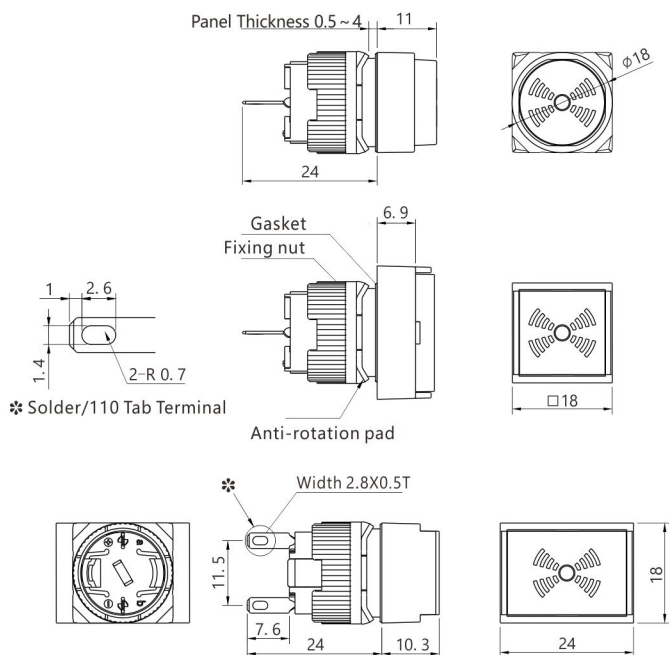
Product Shape

Round (Y)	Square (F)	Rectangular (J)
		
CE	CE	CE

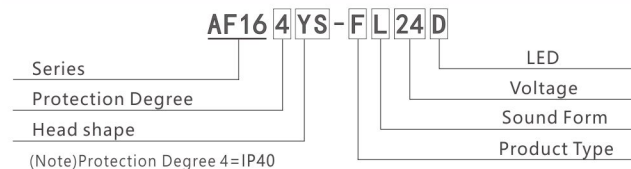
Specifications

Rated Insulation Voltage	30V DC
Rated Operating Voltage	12V DC $\pm$ 10%, 24V DC $\pm$ 10%
Current Draw	40 mA
Insulation Resistance	$\geq$ 100 M $\Omega$
Sound Pressure (at 0.1m)	Steady sound: 80dB minium (at the rated voltage)
Operating Temperature	-25°C ~ +55°C (no freezing)
Storage Temperature	-40°C ~ +70°C (no freezing)
Operating Humidity	40 ~ 85%RH (no condensation)

Outline Dimensional drawing (mm)



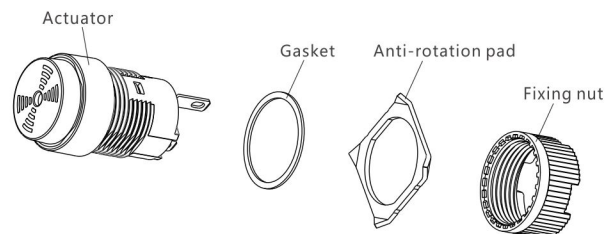
Model Specifications



Style	Sound	Part No.		Voltage①	Color②
		without LED	with LED		
Round (YS)	Continuous	AF164YS-FC①	AF164YS-FIC①②	6: 6VAC/DC 12: 12VAC/DC 24: 24VAC/DC	R
	Interrupt	AF164FS-FP①	AF164YS-FIP①②		
Square (FS)	Continuous	AF164FS-FC①	AF164FS-FIC①②		Y
	Interrupt	AF164FS-FP①	AF164FS-FIP①②		
Rectangular (JS)	Continuous	AF164JS-FC①	AF164JS-FIC①②		
	Interrupt	AF164JS-FP①	AF164JS-FIP①②		

1. For part numbers specify:  
 - Voltage in place of ①. 6(06VACDC); 12(12VACDC); 24(24VACDC);  
 - LED in place of ②. R(Red); G(Green)

Installation Method



Contact Type and Terminal Arrangement



Mounting Size

