

S22 Illuminated pushbuttons (Ring with LED)



- Ring-illuminated
- SUS316L stainless steel are available
- High resistance to vibration and impact
- Quickly connector and PCB connector are available
- Laser Markings are available for any symbol or text in any language
- High IP67/69K protection
- Oilight model are available
- Single or bi-color LEDs available
- RoHS

Mounting Dimensions and styles

22FU=Φ22-Flat+Ring
22EU=Φ22-Raised+Ring
22GU=Φ22-Flat/wide-brimmed+Ring

Switching Action

Blank =Momentary T=Maintained

Contact

11 = 1NO+1NC 10 = 1NO
20 = 2NO 01 = 1NC
02 = 2NC

Terminal

L=Solder/Tab #110 (2.8*0.5)
S= PC Board (1.2*0.7)

Voltage①

06=6VAC/DC 110=110VAC/DC
12=12VAC/DC 220=220VAV/DC
24=24VAC/DC

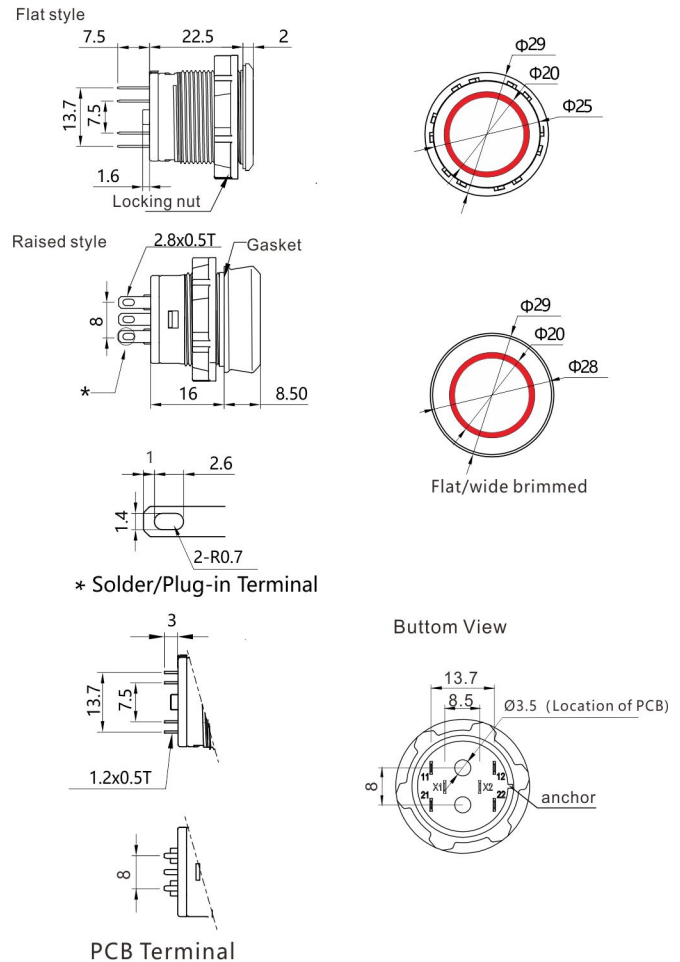
Color②

R= Red Y= Yellow
G= Green W= White
B= Blue A=Amber

Ordering code

Shape	Switching action	Contact	Part No.	Terminal	Note
Flat+Ring (FU)	Momentary	1NO+1NC	S22FU-11□①②	In place of □ insert terminal as follows: L:Solder/ Tab#110 S:PC Board	In place of ① insert voltage and ② Led color from tab
		2NO	S22FU-20□①②		
		2NC	S22FU-02□①②		
	Maintained	1NO+1NC	S22FU-11T□①②		
		2NO	S22FU-20T□①②		
		2NC	S22FU-02T□①②		
Raised+ Ring (EU)	Momentary	1NO+1NC	S22EU-11□①②		
		2NO	S22EU-20□①②		
		2NC	S22EU-02□①②		
	Maintained	1NO+1NC	S22EU-11T□①②		
		2NO	S22EU-20T□①②		
		2NC	S22EU-02T□①②		
Flat/wide- brimmed +ring (GU)	Momentary	1NO+1NC	S22GU-11□①②		
		2NO	S22GU-20□①②		
		2NC	S22GU-02□①②		
	Maintained	1NO+1NC	S22GU-11T□①②		
		2NO	S22GU-20T□①②		
		2NC	S22GU-02T□①②		

Outline Dimensional drawing_{mm}



- Mounting Hole Layout & Mini Mounting spacing Reference P32
- Quick connection are available , The wire length of quick connection on request.

Terminal Arrangement

