

## S22 Emergency stop switches



- $\Phi 28$ mm,  $\Phi 32$ mm and  $\Phi 40$ mm mushroom operators
- SUS316L stainless steel are available
- High resistance to vibration and impact
- Two ways of resetting -pulling and turning
- High IP67/69K protection
- Oiltight model are available
- Quickly connector and PCB connector are available
- RoHS

### Mounting Dimensions and styles

22D2= $\Phi 22$ +Mushroom  $\Phi 28$ mm illuminated  
22D3= $\Phi 22$ +Mushroom  $\Phi 32$ mm illuminated  
224= $\Phi 22$ +Mushroom  $\Phi 40$ mm

### Contact arrangement

11=1NO+1NC 02=2NC

### Reset way

Blank = Turn to reset T = Pull to reset

### Terminal

L=Solder/Plug-in ( 2.8\*0.5 )  
S=PCB ( 1.2\*0.7 )

### Voltage①

06=6VAC/DC 110=110VAC/DC  
12=12VAC/DC 220=220VAV/DC  
24=24VAC/DC

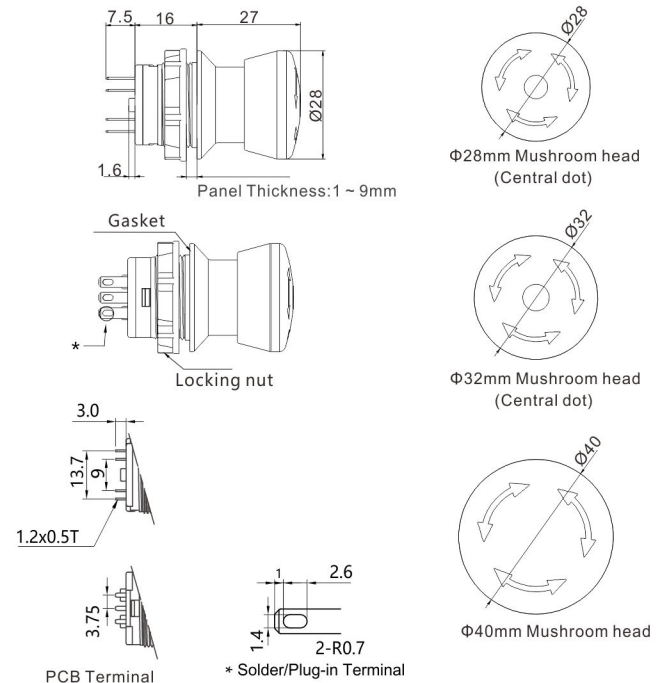
### Color②

R= Red G= Green

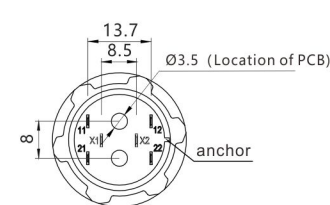
### Ordering code

Shape	Resetting Way	Contact	Part No.	Terminal	Note
$\Phi 28$ mm Mushroom illuminated ( D2)	Push to lock, Turn to reset	1NO+1NC	S22D2-11Z□①②	In place of □ insert terminal as follows:  L:Solder/ Tab#110 S:PC Board	In place of ① insert voltage and ② LED color from tab
		2NC	S22D2-02Z□①②		
	Push to lock, Pull to reset	1NO+1NC	S22D2-11ZT□①②		
		2NC	S22D2-02ZT□①②		
$\Phi 32$ mm Mushroom illuminated ( D3)	Push to lock, Turn to reset	1NO+1NC	S22D3-11Z□①②		
		2NC	S22D3-02Z□①②		
	Push to lock, Pull to reset	1NO+1NC	S22D3-11ZT□①②		
		2NC	S22D3-02ZT□①②		
$\Phi 40$ mm Mushroom (4)	Push to lock, Turn to reset	1NO+1NC	S224-11Z□		
		2NC	S224-11Z□		
	Push to lock, Pull to reset	1NO+1NC	S224-11ZT□		
		2NC	S224-11ZT□		

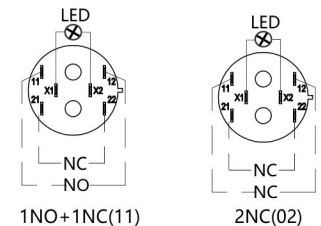
### Outline Dimensional drawingmm



### Bottom View



### Terminal Arrangement



- Mounting Hole Layout & Mini Mounting spacing Reference P32
- Quick connection are available, The wire length of quick connection on request.

### Switching rating

Operating mode	Push-to-lock,	
	Turning to reset (Bilateral rotation, clockwise 25°)	
Operator stroke	3.5 mm	
Operating force	Maintained	About 17N
	Spring-return	About 6N·m