

S16 Pilot lamp



- $\Phi 16\text{mm}$
- Translucent face appears gray when off, to avoid false indication from ambient light
- Si-color, Bi-color, Tri-color are available
- Models rated to IP68 and IP69K for use in harsh environments
- Multiple colors available
- Available with PNP or NPN input, depending on model

Mounting dimensions and styles

16FH=16mm Flat/convexe

Voltage①

06=6VAC/DC 110=110VAC/DC
12=12VAC/DC 220=220VAV/DC
24=24VAC/DC

Color②

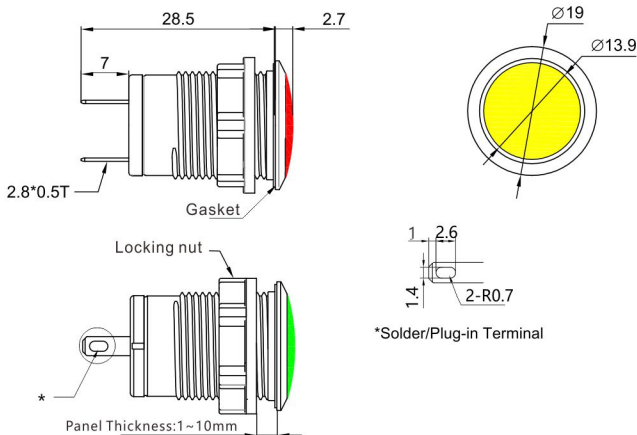
R= Red Y= Yellow
G= Green W= White
B= Blue A=Amber
RG= Red/Green RY= Red/Yellow
YG= Yellow/Green RB= Red/Blue
GB= Green/Blue
RGY= Red/Green/Yellow
RGB= Red/Yellow/Blue

Ordering code

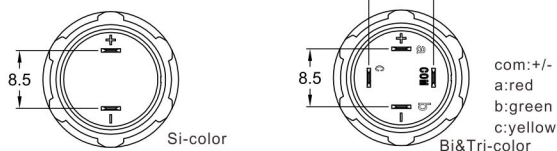
Shape	Lens/Illumination	Terminal	Code	Note
Flat	Convexe	Sold/Plug-in	S16FH-L①②	Reference the tables①②

PS: Except for the listed products models, Special and Customized Products are available. please consult the factory for more details.

Outline Dimensional drawing_{mm}



Buttom View



- Mounting Hole Layout & Mini Mounting spacing Reference P32