



compact type Modular type

Ø50mm Signal Tower with M12 Connector

- Up to three independent colors in one device
- Available in compact type and modular type.
- Illumination provides easy-to-see operator, guidance and equipment status indication at long distances
- Featuring a built-in M12 connector for simplified installations and disconnects
- Features simultaneous use of continuous, flashing, and audible alarm conditions
- Available in 12VACDC, 24VACDC, 48VACDC and 110-250VACDC
- High protection rating IP67 for operation in harsh environments



□ Specifications

Mounting Hole Diameter	Φ 30mm
Input Voltage	12VAC/DC ;24VAC/DC
Functions	Constant/flashing
Material	Base: Aluminium(anodized), Lens: PC,Nut-PA66
Output	NPN/PNP
Connection	M12 connector (Additional cable)
Operating Temperature	-25□ □ +55□ □ No Freezing□
Storage Temperature	-40□ □ +70□ □ No Freezing□
Storage Humidity	40 ~ 85%RH □ No condensation□
Vibration Resistance	10 ~55Hz,Amplitude 0.75mm
Installation Category	Direct Mounting (M30 nut) Rod Mounting

□ Order code

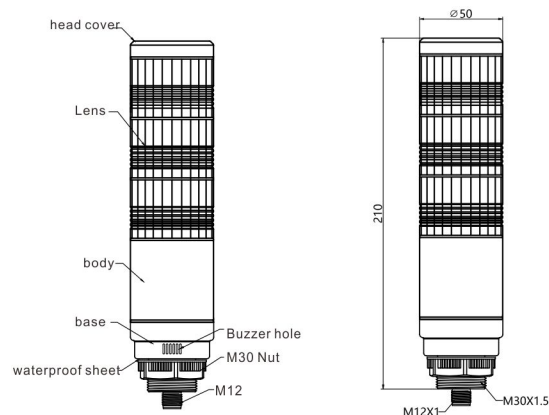
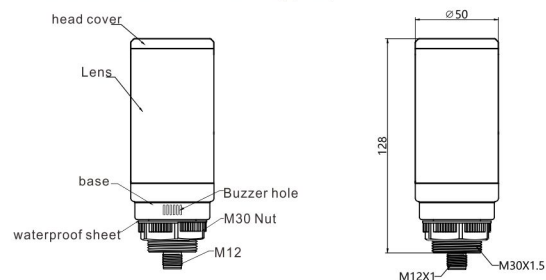
Shape	Color style	light form	Code		Note
			without Buzzer	with Buzzer	
Ø50mm Compact	Single-color	Constant	P512Q-▲	P512Q-▲-□	Color Code of LED as follows: R: RED Y: Yellow G: Green B: Blue W: White
		Flashing	P511Q-▲	P511Q-▲-□	
	Bi-color	Constant	P522Q-▲	P522Q-▲-□	
		Flashing	P521Q-▲	P521Q-▲-□	
	Tri-color	Constant	P532Q-▲	P532Q-▲-□	
		Flashing	P531Q-▲	P531Q-▲-□	

- Color-code for lighting is "▲" in the model number .
R: red, Y: Yellow, G: Green, B: Blue, W: White
- code for buzzer is "□" A: depending (5P) ; B: control (4P)

Shape	Color style	light form	Code		Note
			without Buzzer	with Buzzer	
Ø50mm Modular type	Single-color	Constant	PM512Q-▲	PM512Q-▲-□	standard Lens modular 3tiers. and available to up 10 tiers
		Flashing	PM511Q-▲	PM511Q-▲-□	
	Bi-color	Constant	PM522Q-▲	PM522Q-▲-□	
		Flashing	PM521Q-▲	PM521Q-▲-□	
	Tri-color	Constant	PM532Q-▲	PM532Q-▲-□	
		Flashing	PM531Q-▲	PM531Q-▲-□	

- Color-code for lighting is "▲" in the model number .
R: red, Y: Yellow, G: Green, B: Blue, W: White
- code for buzzer is "□" A: depending (5P) ; B: control (4P)

□ Outline Dimensional drawing(mm)



- Connector(M12) type and Accessories refer to P16
- Cable length are available