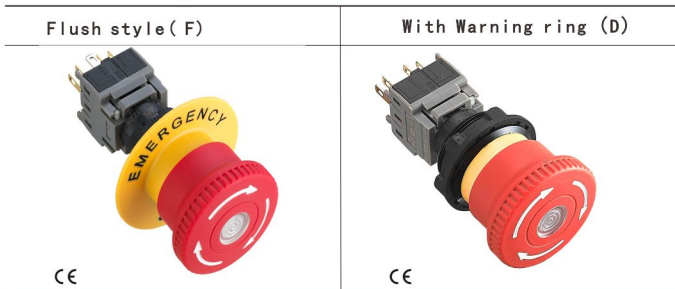
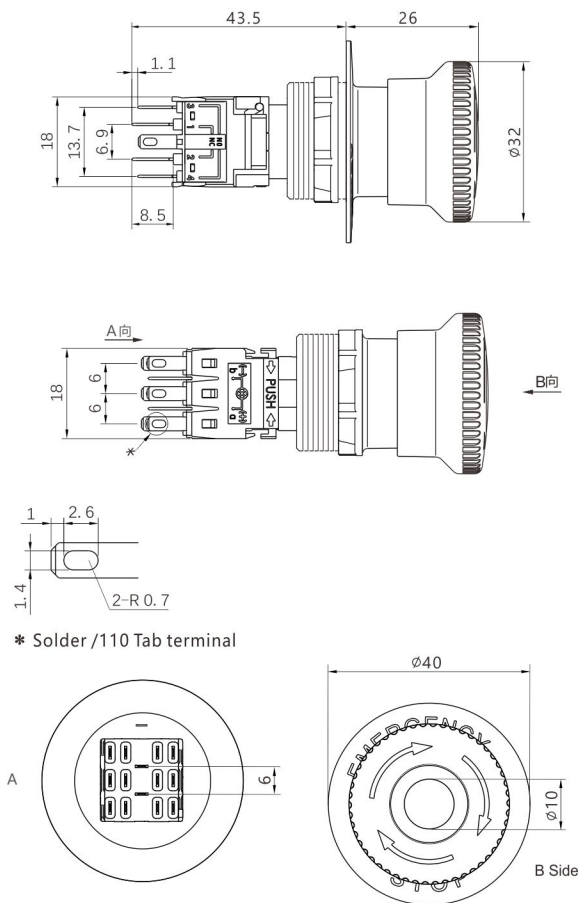


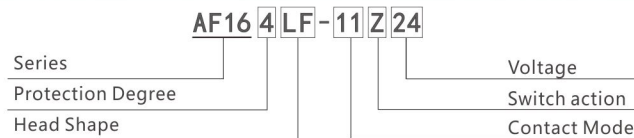
Product Shape



Outline Dimensional drawing (mm)



Model Specifications



Style	Name-plate	Contact	Part No.	
			No-Illumination	Illumination
Round	with	SPDT	AF164YR-11Z	AF164YR-11ZD①②
		DPDT	AF164YR-22Z	AF164YR-22ZD①②
		3PDT	AF164YR-33Z	AF164YR-33ZD①②
	without	SPDT	AF164YS-11Z	AF164YS-11ZD①②
		DPDT	AF164YS-22Z	AF164YS-22ZD①②
		3PDT	AF164YS-33Z	AF164YS-33ZD①②

1. For part numbers specify:

- LED voltage in place of ①: 6(06VACDC); 12(12VACDC); 48(48VACDC); 110(110VACDC); 220(220VACDC)

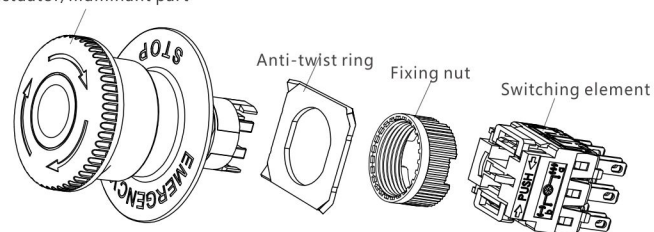
- LED in place of ②: R(Red); G(Green)

Technical Parameter

Action Mode	Press Lock	
	Rotation reset (clockwise rotation 60°)	
Stroke	3.5 mm	
Operating force	Maintained	About 1.7 N
	Spring-return	About 0.5 N·m

Installation Method

Actuator/Illuminant part



Contact type and Terminal Arrangement

