


□ Lens and LED Color

- Pilot lamp & illuminated Pushbuttons

Lens color		Code	LED Color		Code
Red		R	Red		R
Green		G	Green		G
Yellow		Y	Yellow		Y
Blue		B	Blue		B
White		W	White		W
Amber		A	Amber		A

□ Rated Voltage and Working Current

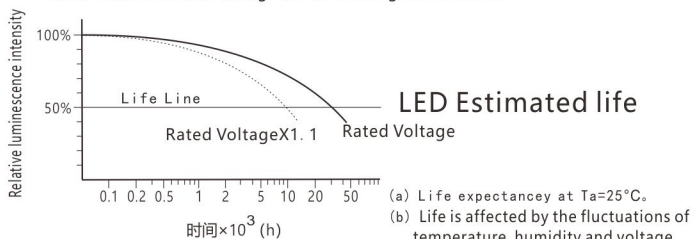
- Pilot lamp & illuminated Pushbuttons

Model	LED Voltage	Working Current	
Full Voltage	5V AC/DC	—	
	12V AC/DC	6.2~6.8mA	
	24V AC/DC	7~7.5 mA	
	Specific	110V AC/DC	1.4~1.7mA
		220V AC/DC	1.2~1.7mA

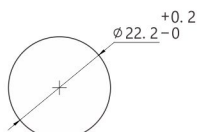
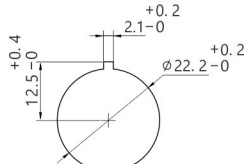
□ Lamp Life

Model	Life	Judgement Criterion
LED Bulb	30000h	The brightness reduce to 50% of the initial value

- When Lit at the rated voltage under working environment



□ Mounting (mm)

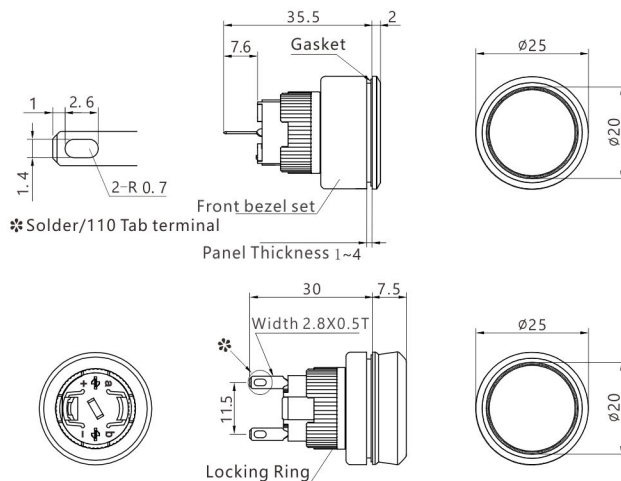
Pilot lamp, Pushbutton, Selector Switch, Key Switch	Emergency Switch
	

(Note): When the installation spacing is determined, it should be considered of convenient operation and easy wiring job

□ Product Shape

Flush style (F)	Extended style (E)
	
CE	CE

□ Outline Dimensional drawing (mm)



□ Model Specifications

Series	AF16	7	LF-D	24	R	Color
Protection Degree						Voltage
Head shape						Lamp

(Note) Protection degree IP67

Shape	Part No.	Voltage①	Color②
	IP67		
Flush(LF)	AF167LF-D①②		
Extend(LE)	AF165LF-D①②		

1.For part numbers specify:

- LED voltage in place of ①. 6(06VACDC); 12(12VACDC); 24(24VACDC); 48(48VACDC); 110(110VACDC); 220(220VACDC)
- Lens /LED in place of ②. R(Red); G(Green); Y(Yellow); B(Blue); W(White); A(Amber)