

Ø70mm Domed Signal Beacon



- Frosted lens displays evenly distributed light for unambiguous indication
- Illuminated dome provides easy to see operator guidance
- All models have flashing input control
- Easy to install and configure
- Models rated to IP67 and IP69K for use in harsh environments

CE

Specifications

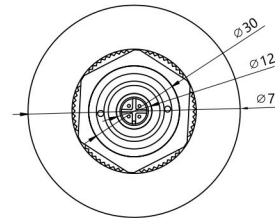
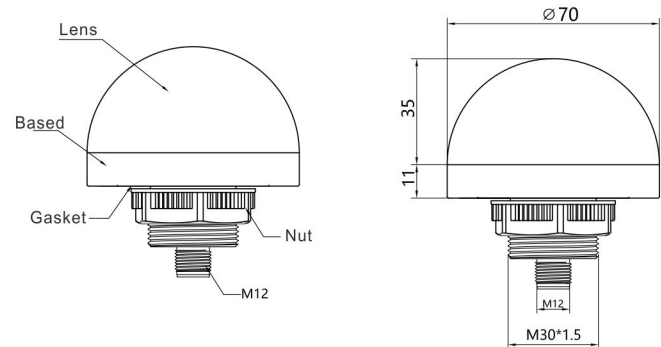
Mounting Hole Diameter	Φ 30mm
Input Voltage	12VAC/DC ;24VAC/DC
Functions	Constant\flashing
Material	Base: Aluminium(anodized), Lens: PC,Nut-PA66
Output	NPN/PNP
Connection	M12 connector (Additional cable)
Operating Temperature	-25°C ~ +55°C (No Freezing)
Storage Temperature	-40°C ~ +70°C (No Freezing)
Storage Humidity	40 ~ 85%RH (No condensation)
Vibration Resistance	10 ~ 55Hz, Amplitude 0.75mm
Installation Category	Direct Mounting
	Rod Mounting

Order code

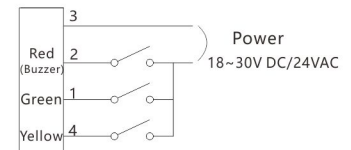
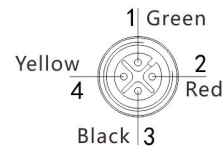
Shape	Color style	light form	Code		Note
			M12 connector	1.5m Cable	
Ø70mm Domed	Single-color	Constant	C712Q-▲	C712-▲	Color Code of LED as follows: R : RED Y : Yellow G : Green B : Blue W : White
		Flashing	C711Q-▲	C711-▲	
	Bi-color	Constant	C722Q-▲	C722-▲	
		Flashing	C721Q-▲	C721-▲	
	Tri-color	Constant	C732Q-▲	C732-▲	
		Flashing	C731Q-▲	C731-▲	

- Color-code for lighting is "▲" in the model number
- R: red, Y: Yellow, G: Green, B: Blue, W: White

Outline Dimensional drawing(mm)



Pinout (Female) & wire color



- Connector(M12) type and Accessories refer to P20
- Cable length are available

