

Ø70mm LED Signal Beacon



- Rugged, cost-effective, and easy-to-install multicolor indicators
- Get gentle yet noticeable notification with the soft light from the translucent lens.
- Translucent ivory Lens, eliminating false indication from ambient light when off
- All models have flashing input control
- Intense levels of light
- Models rated to IP67 and IP69K for use in harsh environments

CE

Specifications

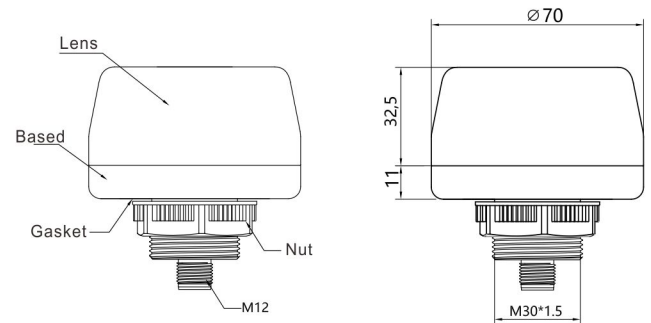
Mounting Hole Diameter	Φ 30mm
Input Voltage	12VAC/DC ;24VAC/DC
Functions	Constant\flashing
Material	Base: Aluminium(anodized), Lens: PC,Nut-PA66
Output	NPN/PNP
Connection	M12 connector (Additional cable)
Operating Temperature	-25°C ~ +55°C (No Freezing)
Storage Temperature	-40°C ~ +70°C (No Freezing)
Storage Humidity	40 ~ 85%RH (No condensation)
Vibration Resistance	10 ~ 55Hz, Amplitude 0.75mm
Installation Category	Direct Mounting (M30)
	Rod Mounting

Order code

Shape	Color style	light form	Code		Note
			M12 connector	1.5m Cable	
Ø70mm Domed	Single-color	Constant	CF712Q-▲	CF712-▲	Color Code of LED as follows: R : RED Y : Yellow G : Green B : Blue W : White
		Flashing	CF711Q-▲	CF711-▲	
	Bi-color	Constant	CF722Q-▲	CF722-▲	
		Flashing	CF721Q-▲	CF721-▲	
	Tri-color	Constant	CF732Q-▲	CF732-▲	
		Flashing	CF731Q-▲	CF731-▲	

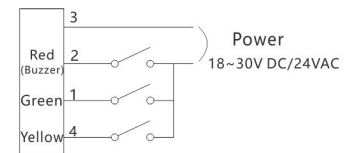
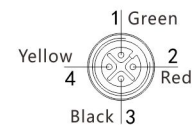
- Color-code for lighting is "▲" in the model number .
R: red, Y: Yellow, G: Green, B: Blue, W: White

Outline Dimensional drawing(mm)



Pinout & Wiring diagram (Tri-color 4P)

Pinout (Female) & wire color



- Connector(M12) type and Accessories refer to P16
- Cable length are available