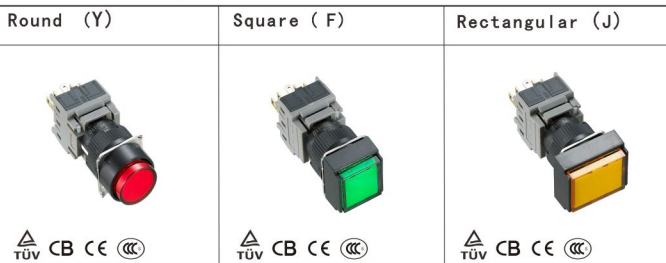
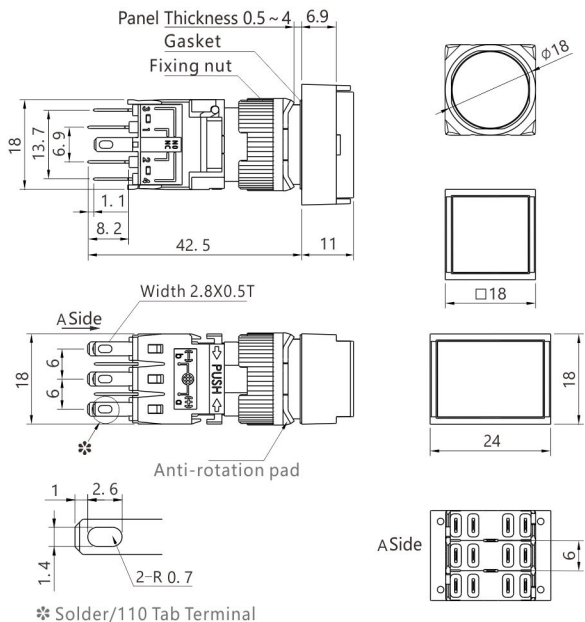


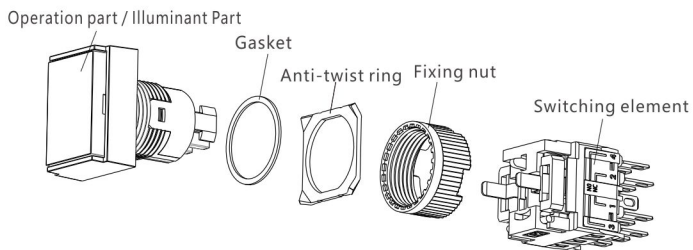
Product Shape



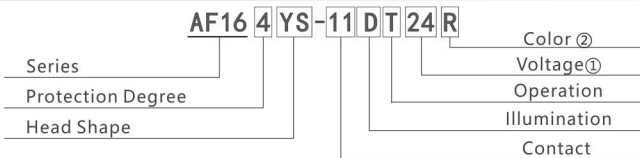
Outline Dimensional drawing (mm)



Installation Method



Model Specifications



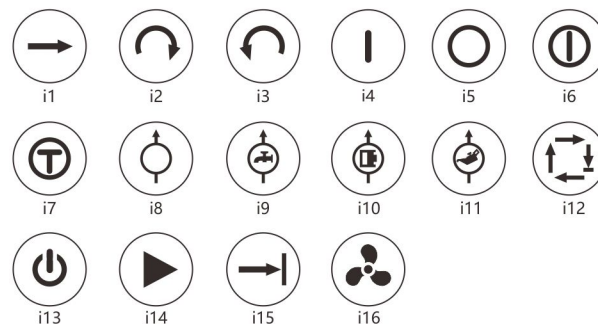
Style	Operation	Contact	Part No.		Note
			No-Illumination	Illumination	
Round (YS)	Momentary	SPDT	AF16□YS-11/②	AF16□YS-11D②②	
		DPDT	AF16□YS-22/②	AF16□YS-22D②②	
		3PDT	AF16□YS-33/②	AF16□YS-33D②②	
	Maintained	SPDT	AF16□YS-11T/②	AF16□YS-11DT②②	
		DPDT	AF16□YS-22T/②	AF16□YS-22DT②②	
		3PDT	AF16□YS-33T/②	AF16□YS-33DT②②	
Square (FS)	Momentary	SPDT	AF16□FS-11/②	AF16□FS-11D②②	
		DPDT	AF16□FS-22/②	AF16□FS-22D②②	
		3PDT	AF16□FS-33/②	AF16□FS-33D②②	
	Maintained	SPDT	AF16□FS-11T/②	AF16□FS-11DT②②	
		DPDT	AF16□FS-22T/②	AF16□FS-22DT②②	
		3PDT	AF16□FS-33T/②	AF16□FS-33DT②②	
Rectangular (JS)	Momentary	SPDT	AF16□JS-11/②	AF16□JS-11D②②	
		DPDT	AF16□JS-22/②	AF16□JS-22D②②	
		3PDT	AF16□JS-33/②	AF16□JS-33D②②	
	Maintained	SPDT	AF16□JS-11T/②	AF16□JS-11DT②②	
		DPDT	AF16□JS-22T/②	AF16□JS-22DT②②	
		3PDT	AF16□JS-33T/②	AF16□JS-33DT②②	

1. For part numbers specify:

- Protection degree in place of □: 4(IP54); 5(IP65)
- LED voltage in place of ②: 6(06VACDC); 12(12VACDC); 48(48VACDC); 110(110VACDC); 220(220VACD)
- Lens /LED in place of ②: R(Red); G(Green); Y(Yellow); B(Blue); W(White); A(Ambe); BL(Black), only for non-illumination.

2. Lens can be used with legend markings. Engraving can be done on a marking plate which is placed into the lens, or a clear film can be printed and placed under the lens. For details on the marking plate and film.

Printing Symbol list for Pilot lamp and Pushbuttons



(Note): All ISO Symbols and special Symbols can be made by order.